

# HP TouchSmart PC

## User Guide

### Copyright Information

The only warranties for Hewlett-Packard products and services are set forth in the express statements accompanying such products and services. Nothing herein should be construed as constituting an additional warranty. HP shall not be liable for technical or editorial errors or omissions contained herein.

HP assumes no responsibility for the use or reliability of its software on equipment that is not furnished by HP.

This document contains proprietary information that is protected by copyright. No part of this document may be photocopied, reproduced, or translated to another language without the prior written consent of HP.

Hewlett-Packard Company  
P.O. Box 4010  
Cupertino, CA 95015-4010  
USA

Copyright © 2007 Hewlett-Packard Development Company, L.P.

May be licensed in the United States by one or both of U.S. Patents Nos. 4,930,158 and 4,930,160 until August 28, 2008.

Microsoft and Windows Vista are U.S. registered trademarks of Microsoft Corporation. The Windows logo and Windows Vista are trademarks or registered trademarks of Microsoft Corporation in the United States and/or other countries/regions.

HP supports lawful use of technology and does not endorse or encourage the use of our products for purposes other than those permitted by copyright law. The information in this document is subject to change without notice.

## HP TouchSmart PC Documentation

Your HP TouchSmart PC includes several guides to help you perform various tasks.

Printed information	Guide found on your computer hard disk drive
<i>HP TouchSmart PC User Guide</i>	<i>Getting Started</i> guide
<i>Limited Warranty and Support</i> guide	
<i>Troubleshooting and Maintenance</i> Guide	

- **HP TouchSmart PC User Guide** provides information about setting up and using all the features of your HP TouchSmart PC. You will also find information about various software such as Windows Media Center, HP SmartCenter, HP PhotoSmart Touch, HP SmartCalendar, and more.
- **Getting Started** provides information about using your HP computer, the Microsoft® Windows Vista™ operating system, the Windows Media Center, and some of the hardware and the software programs included with the computer. Onscreen guides are available in the User Guides folder on your computer. Click the **Windows Start Button**® on the taskbar, click **All Programs, User Guides**, and then click **Getting Started**.
- **Limited Warranty and Support** guide provides information about your computer warranty and how to obtain support.
- **Troubleshooting and Maintenance** Guide provides information about tasks you can perform to ensure the trouble-free operation of your computer and to ease the recovery of important information on your computer should problems arise in the future. It also contains a series of tables that describe solutions you can try to resolve problems that may occur when you install and use your computer.

For more detailed information about where you will find specific information in each of these guides, refer to *Locating Information about Your Computer* in this guide.

# Accessing Software and Performing Other PC Tasks

You can access your software and perform various tasks on your HP TouchSmart PC using the touch screen, keyboard, mouse, stylus, or remote control. Some tasks are better suited to the touch screen, such as using the HP SmartCenter programs, browsing the Internet, or accessing your favorite programs. Some activities, such as typing search text, are better suited for the keyboard.

You always have the flexibility to use various ways to navigate your PC, create messages, and access your music, TV programs, and photos.

---

**NOTE:** All software that you purchase and install separately is accessible with the touch screen, but some programs are easier to use with a stylus, keyboard, or mouse.

---

## Accessing Software and Performing Other PC Tasks

<b>Software and other PC activities</b>	<b>Touch screen Finger/Stylus</b>	<b>Keyboard/mouse</b>	<b>Remote control</b>
<b>HP SmartCenter</b>	Best	Good	Yes
<b>HP SmartCalendar</b>	Best	Good	No
<b>HP Photosmart Touch</b>	Best	Good	No
<b>Windows Media Center</b>	Better	Good	Best
<b>Software included with the PC</b>	Good	Best	No
<b>Software you install</b>	Good	Best	No
<b>Internet access</b>	Good	Best	No
<b>Windows Vista operating system</b>	Good	Best	No
<b>Desktop navigation</b>	Better	Best	No
<b>Turn the PC on or put it in Standby mode</b>	On only	Best	Best

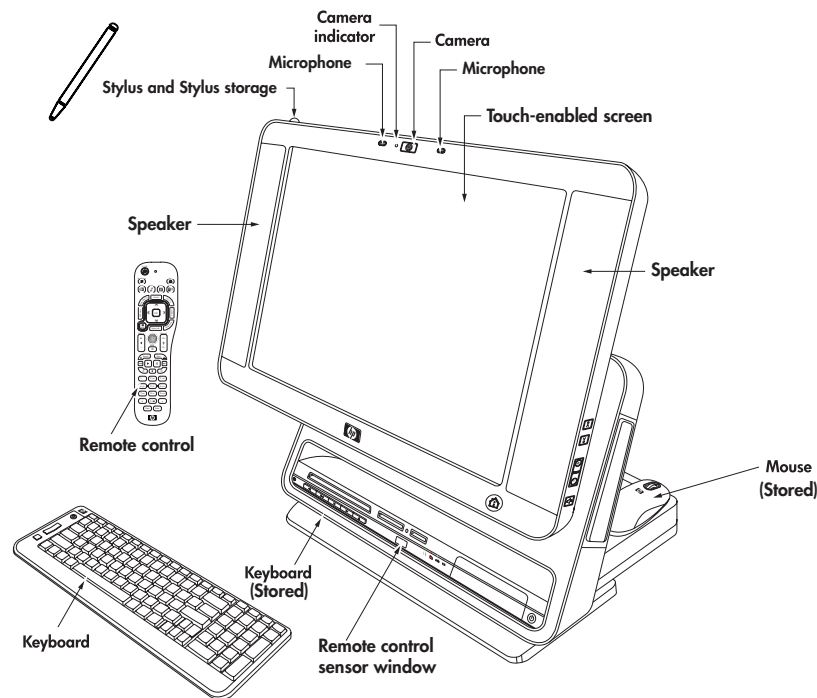
# Table of Contents

<b>Setting Up the HP TouchSmart PC .....</b>	<b>1</b>
HP TouchSmart PC Cables .....	7
Setting Up the HP TouchSmart PC.....	7
Using surge protection .....	7
Connecting the power cord .....	7
Setting up the wireless keyboard and mouse.....	8
Turning on the HP TouchSmart PC .....	8
Using the Wireless Keyboard or Mouse .....	9
Using the wireless keyboard .....	9
Using the wireless mouse.....	11
Replacing batteries in the keyboard or mouse .....	11
Manually sync the wireless keyboard or mouse .....	12
Connecting the TV Signal Source to the PC.....	13
Connecting the IR emitter .....	14
Connecting an HP Photo Printer .....	15
Connecting a printer .....	15
Setting Up the Remote Control .....	16
Using a Wireless Network and Bluetooth Devices .....	17
Setting up a wireless local area network .....	17
Using Bluetooth devices .....	17
Connecting to the Internet.....	18
Setting up a network and the HP TouchSmart PC .....	19
<b>Using the HP TouchSmart PC.....</b>	<b>21</b>
Using the HP TouchSmart PC Screen.....	21
Selecting items with your touch screen .....	21
Optimizing the screen for touch or the mouse .....	21
About touch screen technology .....	22
Cleaning the HP TouchSmart PC Screen .....	23
Using the stylus .....	23
Using the Built-in Web Camera and Microphone .....	24
Having a video chat or making conference calls .....	24

Using the HP TouchSmart PC Software .....	24
What is HP SmartCenter? .....	24
Navigating in HP SmartCenter .....	26
Opening HP SmartCenter .....	26
Using the remote control with HP SmartCenter .....	26
Changing the weather location .....	27
Changing the HP SmartCenter clock settings .....	28
Using HP SmartCalendar .....	29
Moving notes to your calendar .....	33
Using HP Photosmart Touch .....	34
Opening HP Photosmart Touch .....	34
Transferring your photos to the PC .....	34
Working with digital images .....	34
HP Photosmart Touch shortcuts .....	35
Adding pictures to your HP Photosmart Touch library .....	35
Searching for pictures with HP Photosmart Touch .....	36
Selecting pictures in HP Photosmart Touch .....	36
Editing pictures in HP Photosmart Touch .....	36
Printing pictures in HP Photosmart Touch .....	37
Other HP SmartCenter Features .....	38
Personalizing your HP SmartCenter page .....	38
Changing what you can launch from HP SmartCenter .....	39
Using the touch screen to access Windows Media Center .....	41
Using Tablet PC software to enter text with the touch screen .....	43
Using Windows Journal software to create hand-written notes and drawings .....	43
<b>Upgrading the HP TouchSmart PC .....</b>	<b>45</b>
Safety Information .....	45
Opening and Closing the HP TouchSmart PC .....	45
Preparing the HP TouchSmart PC .....	45
Before opening the HP TouchSmart PC .....	46
After closing the HP TouchSmart PC .....	46
Removing the rear cover .....	47
Replacing the rear cover .....	48
Removing the vertical cover .....	48
Replacing the vertical cover .....	49
Adding Memory .....	49
Removing a memory module .....	49
Installing a memory module .....	50
Removing and Replacing the Hard Disk Drive .....	51
Removing the hard disk drive .....	51
Replacing the hard disk drive .....	52
<b>Locating Information About Your Computer .....</b>	<b>53</b>
<b>Index .....</b>	<b>54</b>

# Setting Up the HP TouchSmart PC

This section provides figures you can use to locate the HP TouchSmart PC hardware, and information about setting up the HP TouchSmart PC and making connections.



**Adjustable 19-inch touch-enabled widescreen** — move it up and down and tilt it back and forth at the angle that is comfortable to you.

**Built-in microphone array** — use them individually, or use them with the Web camera.

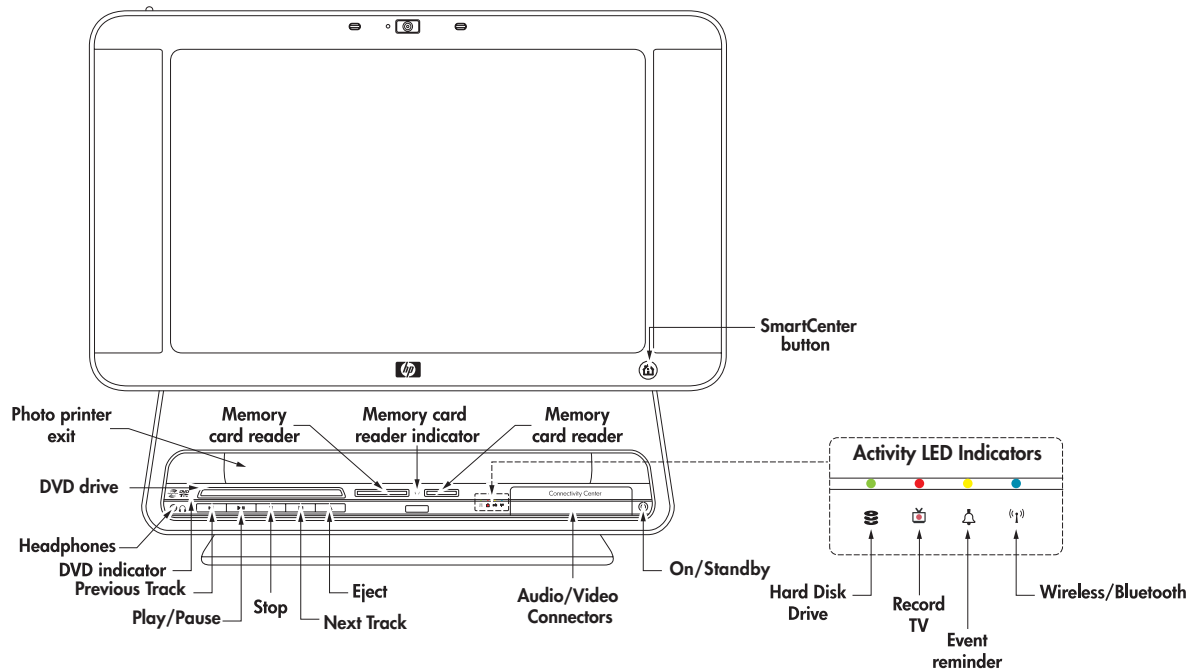
**Built-in Web camera and indicator** — use the camera individually or use with the microphone array to have video chats or make video conference calls over the Internet using your favorite chat software that supports video.

**High-performance built-in 2.0 speakers** — use them for a powerful media experience when watching Live TV, listening to music, or watching your home videos and DVD discs.

**Wireless keyboard and mouse** — keyboard fits into a convenient hideaway storage bay under the display and mouse sits behind the display when you are not using it. To conserve battery power, move the switch on the bottom of the mouse to the Off position before storing the mouse. You can use the keyboard to type messages, turn on the PC, and navigate your PC software.

**Remote control** — point it at the **remote control sensor window**, and navigate all of your Windows Media Center options, such as watching and recording your favorite TV shows, playing a slideshow of your vacation photos, or playing your music playlists. See “Setting Up the Remote Control.”

**Stylus and Stylus storage** — use it as a pointer device to more precisely control the touch screen navigation. Press down on the stylus to lock it in place and press it again to release it from its holder.



**Built-in wireless LAN** — use it to connect to a wireless home network that connects all the PCs in your home or office. See “Setting up a wireless local area network.”

**Bluetooth** — connect to all kinds of wireless devices such as printers, cameras, headsets, cell phones, audio headphones, and more.

**HP SmartCenter button** — press it to turn your HP TouchSmart PC on and launch your HP SmartCenter software, or if PC is already turned on, press it to launch HP SmartCenter.

**On/Standby button** — press to easily turn on your HP TouchSmart PC, or put it in Standby (sleep) mode.

**Media card reader** — an 8-in-1 two-slot memory card reader where you can easily insert various photo memory cards to quickly transfer your digital photos to the PC.

- Left slot accepts CompactFlash I and II, and MicroDrive.
- Right slot accepts SD, MMC, MS, MS-PRO, and xD.

**Memory card reader indicator** — light to show current activity for the memory card reader.

**Activity LED indicator lights** — light to show current activity for the hard disk drive, TV recording, the HP SmartCalendar event reminder, and wireless/Bluetooth devices.

**Media control buttons** — press Previous Track, Play/Pause, Stop, Next Track, or Eject to play and control your music CDs and DVD movies.

**DVD drive**, an optical DVD+/-RW drive with **LightScribe** — insert CDs and DVDs to play and burn 120 mm double-layer and 80 mm round discs, or create your own disc labels using the LightScribe technology. The **DVD indicator** lights to show disc activity. See the *Troubleshooting and Maintenance Guide* for information on how to access the DVD drive ejector hole.

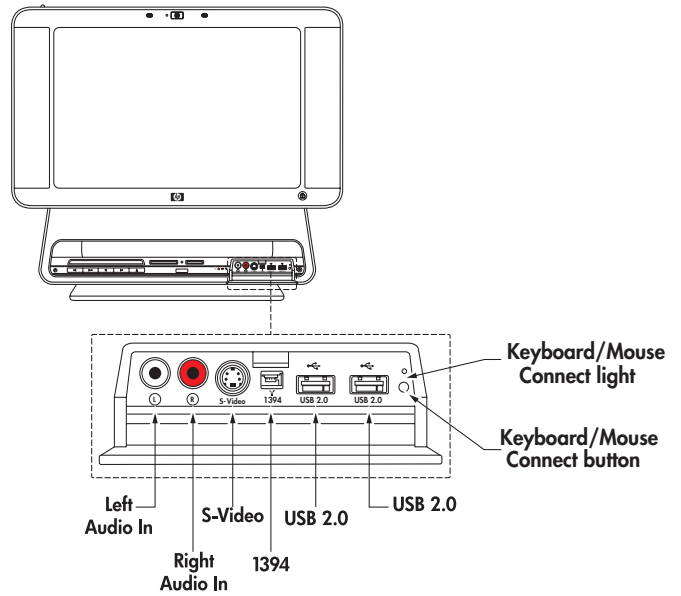


**CAUTION: Business card and other form factor discs are not supported. Inserting these discs may prevent the drive from opening and can cause mechanical problems.**

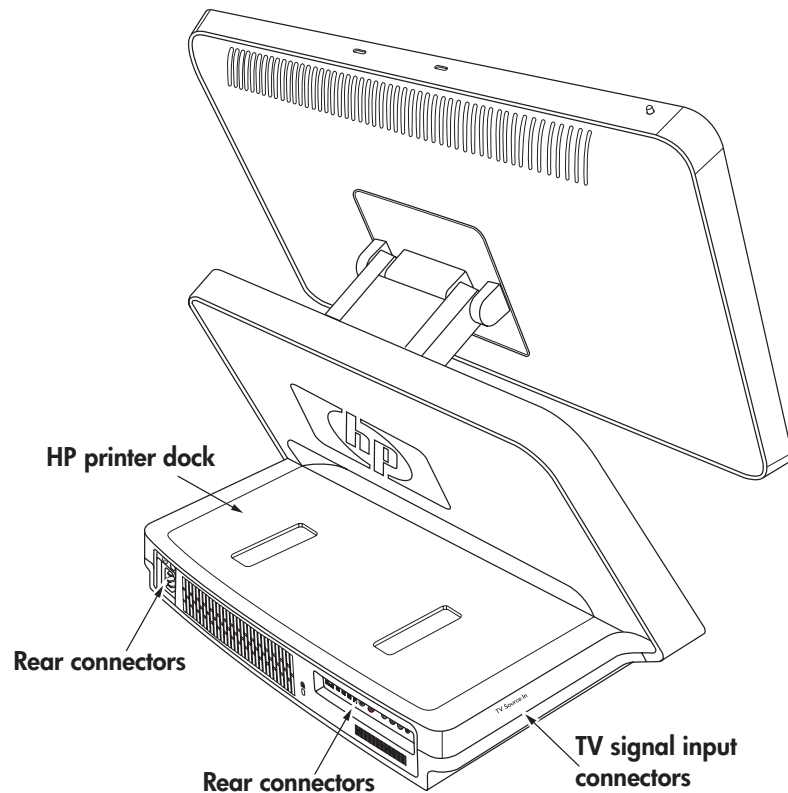
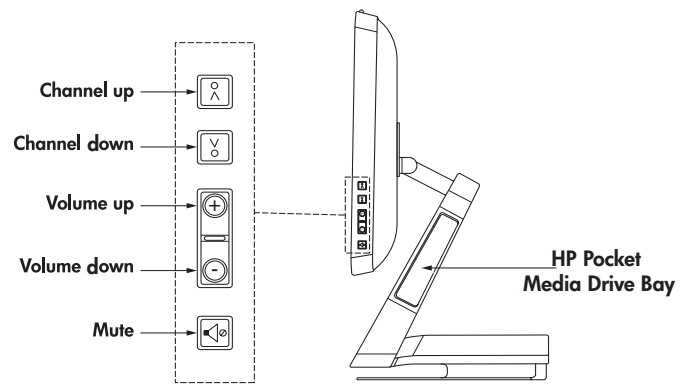
**Headphone connector** — connect your headphones (sold separately).

**Photo printer exit** — slot for the photo to exit when an HP photo printer (sold separately) is placed on the **HP Printer dock** on the back of the HP TouchSmart PC.

**Audio/video connectors** — connect audio or video devices using these connectors. Also has manual keyboard and mouse connect button and indicator.



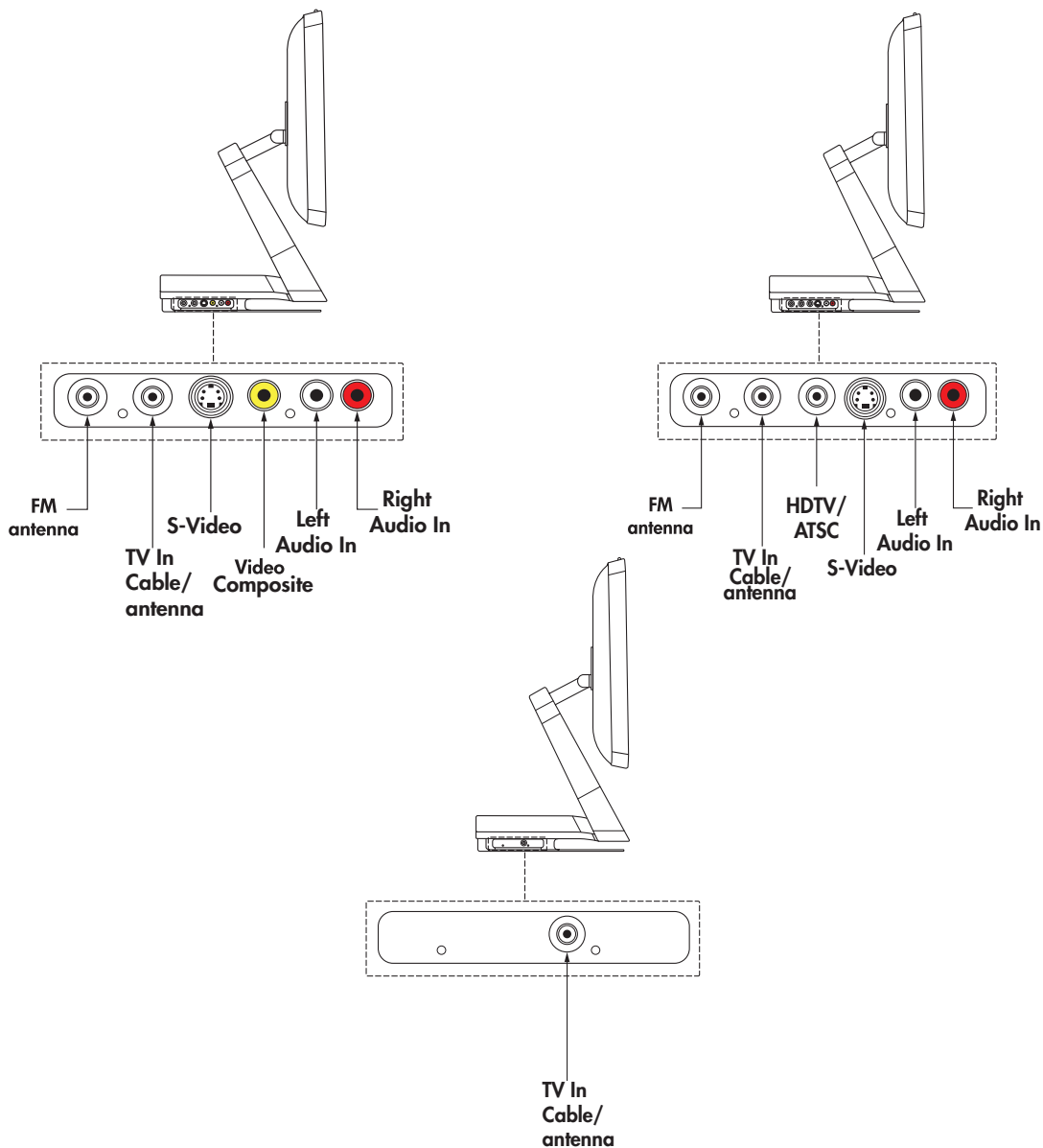
**Channel, volume, and mute controls** — quickly change channels while watching live TV in Media Center and adjust the sound level for all your PC experiences.



**TV signal input connectors** — input connectors on the left side of the HP TouchSmart PC are for the TV input signal. All models have a coaxial TV In connector. Some models also have an HDTV/ATSC connector. Some models also have S-video or video (composite) connectors and left Audio In and right Audio In connectors in this area. Some models have a coaxial FM antenna connector in this area.

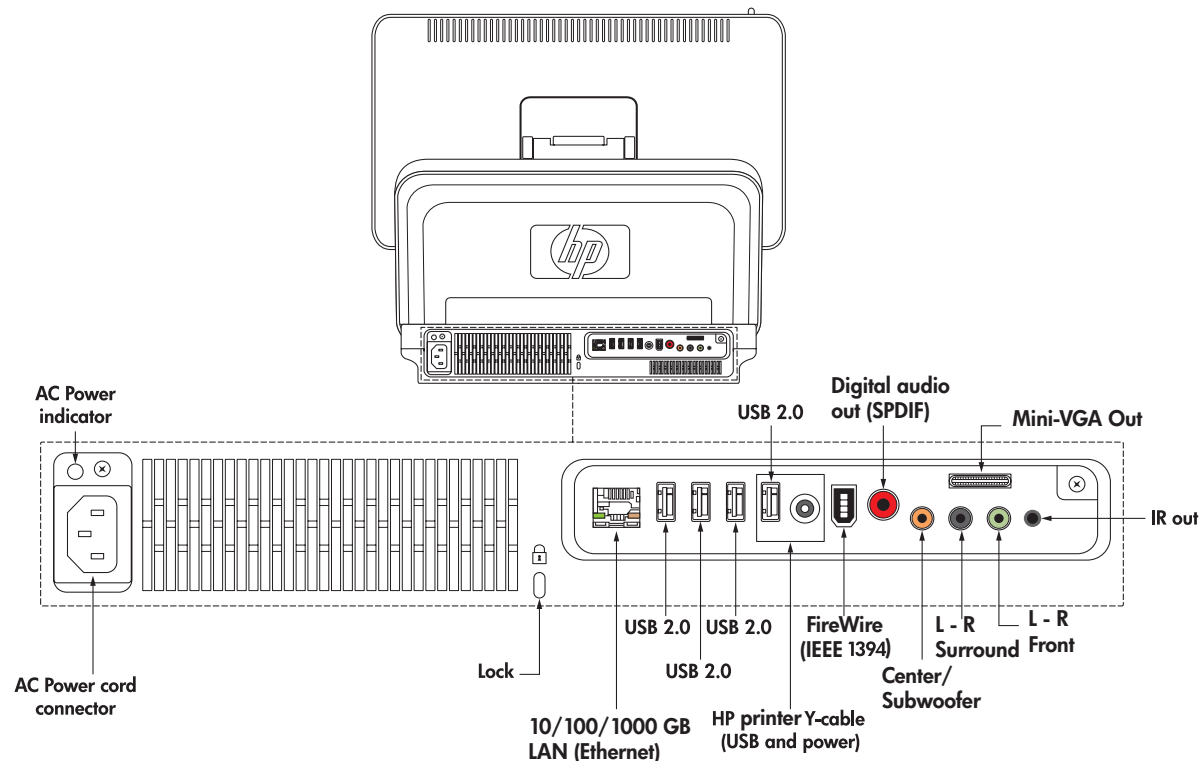
For more information about setting up your TV signal, see “Connecting the TV Signal Source to the PC” on page 13.

Shown below are three different TV tuner connectors your HP TouchSmart PC may include.



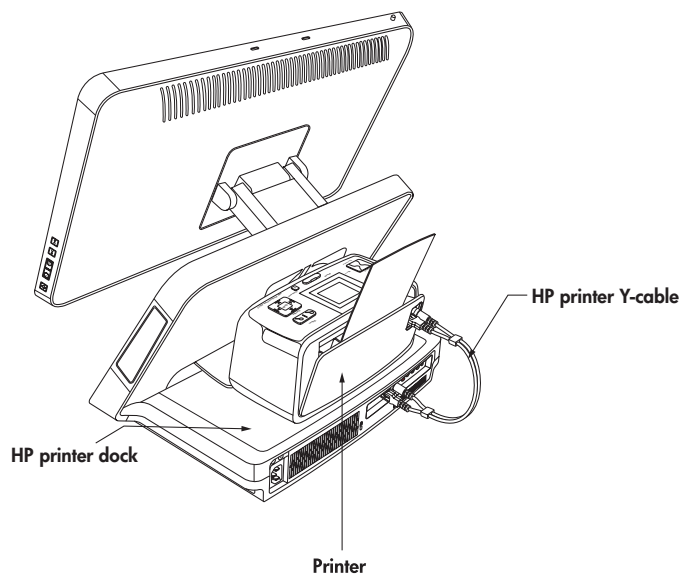


**Rear connectors** — Connectors for AC power cord (with a green indicator light), a Kensington lock slot, LAN (for a wired Ethernet connection), four USB 2.0, HP printer Y-cable connectors (USB and power output), FireWire® (IEEE 1394) (6-pin), digital audio out (SPDIF), subwoofer/center, left and right surround, and left and right front are each 3.5 mm dual-channel analog audio out connectors, IR (infrared emitter) out, and a mini-VGA out connector.

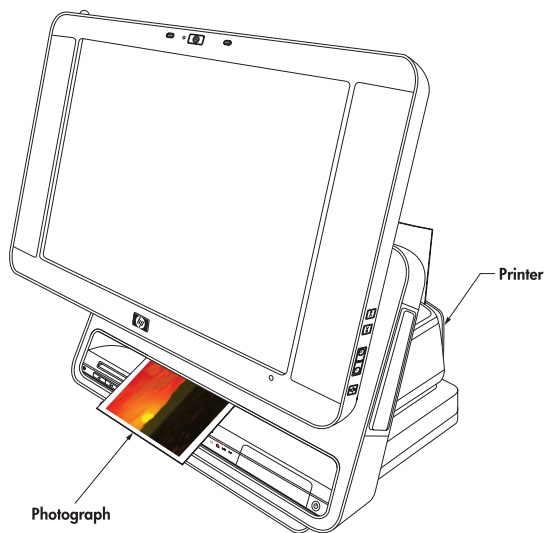


**HP Printer dock** — place one of select models of HP Photo printers (sold separately) on the printer dock on the back of the HP TouchSmart PC to save counter space.

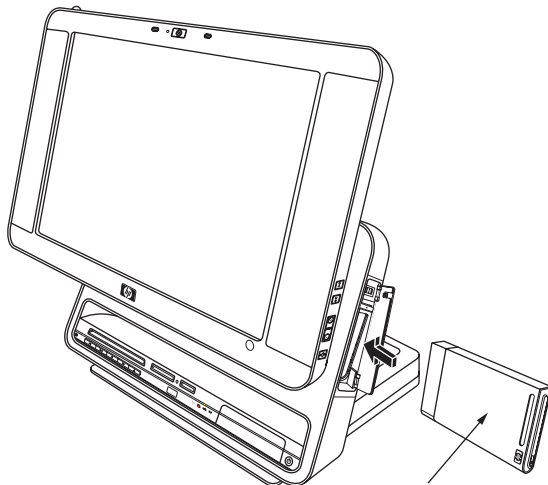
You can also connect the HP printer without using a separate power cable by using the HP printer Y-cable. See “Connecting an HP Photo Printer.”



**Photo printer exit** — the print exits out of the front of the HP TouchSmart PC at the photo printer exit.

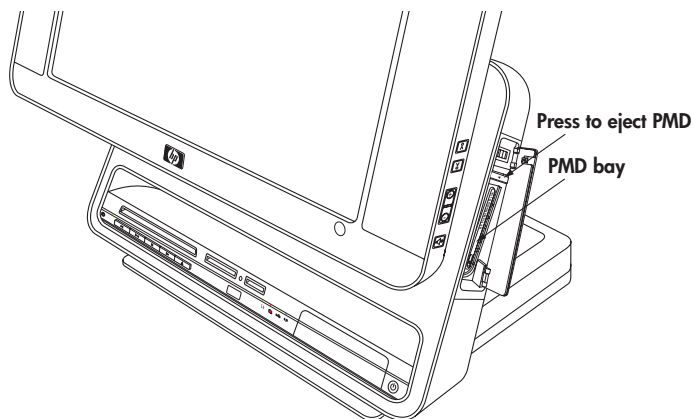


**HP Pocket Media Drive Bay** — press the top of the drive bay cover to open it. Insert a portable HP Pocket Media Drive, which is a hard disk drive that you purchase separately. You can use it to store and transfer all of your important media files.



**HP Pocket Media Drive**

You can safely remove the drive when the activity light on the drive is not blinking. Press the Eject button to pop out and then remove the drive.



For specific steps to disconnect and remove the drive, see "Disconnecting the Drive" in the "Using the HP Personal Media Drive and the HP Pocket Media Drive" chapter of the *Getting Started* guide.

## HP TouchSmart PC Cables

For more information about cables, refer to the printed cable flyer that came with your HP TouchSmart PC.

- **Power cable** to connect the PC to the power source.
- **Ethernet (RJ-45) cable** (sold separately) to optionally connect the PC to a wired LAN (Ethernet) port.
- **VGA adapter cable** connects from the VGA Out connector to a standard 15-pin VGA connector on a TV or a monitor.
- **HP printer Y-cable** (Type B USB) with power to connect HP Photosmart A510 and A610 Series printer models without using a separate power cable.
- **IR (infrared) emitter cable** to connect the HP TouchSmart PC (at the IR Out connector) to operate the remote sensor on a set-top box.

## Setting Up the HP TouchSmart PC

Setting up the HP TouchSmart PC is simple; just place it and connect the power cord. Then, pull the battery tabs on the wireless keyboard and mouse, turn on the mouse, and then turn on the PC, and you are ready to begin using your HP TouchSmart PC.

You can also:

- Connect to the Internet using wireless or wired (optional) connection. See “Connecting to the Internet.”
- Insert the batteries in the remote control. See “Setting up the remote control to use with Windows Media Center.”
- Make other connections, such as TV input signal. See “Connecting the TV Signal Source to the PC.”
- Connect a printer. See “Connecting a printer.”



**WARNING:** Please read “Additional Safety Information” in the *Limited Warranty and Support Guide* before installing and connecting your HP TouchSmart PC to the electrical power system.

---

Read the topics in this section to learn more about setting up your HP TouchSmart PC. Look in the HP TouchSmart PC box for printed details or updates regarding your HP TouchSmart PC.

## Using surge protection

Help protect your HP TouchSmart PC and accessories by connecting all power cords for your HP TouchSmart PC and peripheral devices (such as a monitor, printer, or scanner) to a surge protection device such as a power strip with surge protection or an uninterruptible power supply (UPS). Many surge protection devices have surge protection inputs and outputs for modem or telephone lines. Telephone lines are a common path for lightning spikes to get into your system. Some surge protection devices have surge protection for television cable connections as well. Use those if your HP TouchSmart PC has a television tuner installed.

Not all power strips provide surge protection; the power strip must be specifically labeled as having this capability. Use a power strip whose manufacturer offers a damage replacement policy that replaces your equipment if surge protection fails.

## Connecting the power cord

Connect the power cord to the AC power cord connector on the back of the HP TouchSmart PC, and then plug the other end into a surge protection device or the wall outlet. The AC power indicator turns green when the cord is connected to a power source.

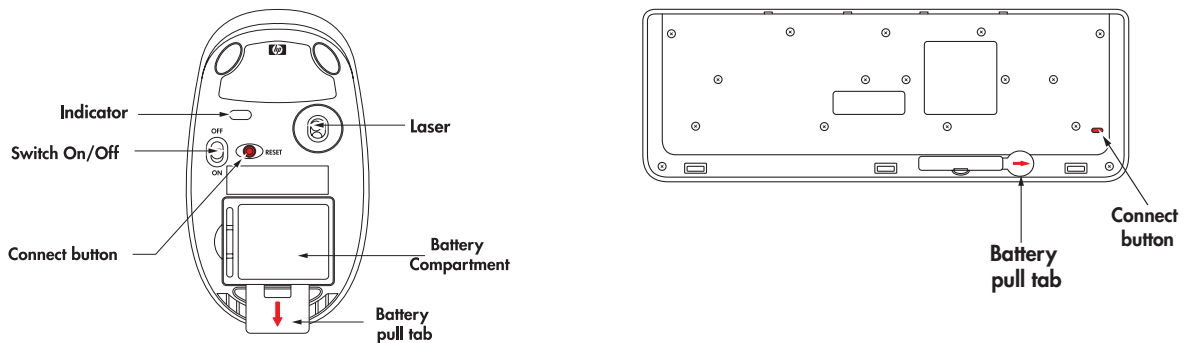
# Setting up the wireless keyboard and mouse



**CAUTION: You must follow the steps in the order listed to enable your keyboard and mouse to work with your HP TouchSmart PC.**

To set up the wireless keyboard and mouse:

- 1 Engage the batteries by pulling out the battery tabs from the bottom of the mouse and the keyboard.



- 2 For the mouse only, move the switch on the bottom of the mouse to the On position.
- 3 Place the mouse and the keyboard on the same surface as the HP TouchSmart PC and within 12 inches (30 centimeters) of it.
- 4 When the HP TouchSmart PC is turned on, the keyboard and mouse automatically syncs.
- 5 If the mouse or the keyboard does not work properly, you may have to manually sync them or replace the batteries. See “Manually sync the wireless keyboard or mouse” or “Replacing batteries in the keyboard or mouse.”

## Turning on the HP TouchSmart PC

Press the On/Standby button on the front of the HP TouchSmart PC to easily turn on your HP TouchSmart PC. It takes about 20 minutes to complete the initial setup by following the onscreen instructions.


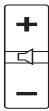

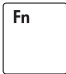











You are ready to begin using your HP TouchSmart PC.

For more information, see “Turning On Your HP TouchSmart PC for the First Time” in the *Getting Started* guide.

You can also turn the HP TouchSmart PC on or in Standby mode by pressing the On/Standby button on keyboard or the remote control.



## Special Keyboard Buttons

Button or key	Description
	<b>On/Standby</b> turns the HP TouchSmart PC on or puts the HP TouchSmart PC into standby or sleep mode.
	<b>Volume Up</b> and <b>Volume Down</b> adjust the speaker sound level.
	<b>Mute</b> turns the sound off or on.
	The <b>Function (Fn)</b> key acts as a shift-down key for the Function keys; press Fn with a Function key (F1 through F12) to select the lower feature of the key.
	The <b>Back</b> key (press Fn+F1) moves back one window or Web page.
	The <b>Forward</b> key (press Fn+F2) moves forward one window or Web page.
	The <b>Internet</b> key (press Fn+F3) opens your Internet browser. Can be configured to open any Web site or software program.
	The <b>E-mail</b> key (press Fn+F4) opens the e-mail program. Can be configured to open any Web site or software program.
	The <b>Display On/Off</b> (press Fn+F5) turns off the display. Press the Display On/Off (press Fn+F5) again to turn the display back on.
	The <b>Brightness Down</b> (press Fn+F7) and <b>Brightness Up</b> (press Fn+F8) adjust the screen brightness.
	
	The <b>Cut</b> key (press Fn+F9) removes the selected item and creates a copy that can be pasted.
	The <b>Copy</b> key (press Fn+F10) copies the selected item.
	The <b>Paste</b> key (press Fn+F11) pastes the selected item.
	The <b>HP Help</b> key (press Fn+F12) opens Help and Support.

## Using the wireless mouse

The cursor on the screen moves when you move the mouse. The wireless mouse operates with a Class 1 laser beam, which you cannot see. The mouse indicator light on the bottom of the mouse blinks when you turn it upside down to show that the batteries and the laser are working, and that the laser is off to protect you. Do not store the mouse upside down.

To use the mouse, move the switch on the bottom of the mouse to the On position. Use the mouse on most surfaces.

To conserve battery power, when not in use, move the switch on the bottom of the mouse to the Off position before storing the mouse.

For more information about the mouse, refer to “Using the Mouse” in the *Getting Started* guide.

## Replacing batteries in the keyboard or mouse

Review these tips:

- When the unit does not operate properly, replace the batteries in the keyboard or mouse.
- Do not mix different types of batteries together. For example, do not mix rechargeable and non-rechargeable, alkaline and carbon-zinc (Ni-Cd), or old batteries with fresh ones.
- Be sure to place the batteries in the correct position (+ on the battery matching the + in the battery compartment). Reversed batteries may cause damage to the device.
- When not using the mouse or keyboard for a couple weeks or more, remove the batteries to prevent damage or injury from possible battery leakage.
- Do not try to recharge batteries that are not intended to be recharged; they can overheat and rupture. Follow the battery manufacturer’s directions for the batteries you are using.
- Always remove batteries as soon as they become weak. Weak batteries can leak and severely damage the unit. The battery life depends on how much the unit is used.
- Do not take apart the batteries, heat them, or throw them into a fire.

### To replace the batteries:

- 1 For the mouse only, move the switch on the bottom of the mouse to the Off position.
- 2 Remove the battery cover from the bottom of the keyboard or mouse.
- 3 Remove the batteries.
- 4 Insert new batteries, matching the orientation shown on the housing. Use four AAA batteries for the keyboard, and two AA batteries for the mouse.
- 5 Replace the battery cover.
- 6 For the mouse only, move the switch on the bottom of the mouse to the On position.
- 7 Place each unit on the same surface as the HP TouchSmart PC and within 39 inches (1 meter) of it.
- 8 With the HP TouchSmart PC turned on, the keyboard/mouse connect indicator on the front of the HP TouchSmart PC lights when the keyboard and mouse are synced (recognized). The unit should be automatically recognized in about 5 seconds. Press a key on the keyboard or move the mouse to check operation.

---

**NOTE:** The keyboard and mouse do not lose sync during a battery charge.

---

If either unit does not work properly, you may have to manually sync them. See “Manually sync the wireless keyboard or mouse.”

## Manually sync the wireless keyboard or mouse

Use these steps to manually sync the keyboard or mouse with the HP TouchSmart PC when either unit does not work properly after replacing the batteries.

- 1 For the mouse only, move the switch on the bottom of the mouse to the On position.
- 2 Place the keyboard or mouse on the same surface and within close proximity (12 inches or 30.5 centimeters) as the HP TouchSmart PC.
- 3 Using a ball point pen, press and hold the keyboard/mouse Connect button on the front of the HP TouchSmart PC until the indicator light blinks. You have 60 seconds to complete step 4 or 6.
- 4 For the keyboard, press the Connect button on the bottom until the Caps lock indicator light (located on top next to the Caps lock key) starts blinking. The sync should occur within 5 seconds.
- 5 Repeat step 3 to begin the syncing of the mouse.
- 6 On the bottom of the mouse, press the Connect button until the indicator light starts blinking. The syncing should occur within 5 seconds.
- 7 If the keyboard or mouse does not operate properly, repeat steps 1 through 6.

---

**NOTE:** After pressing the Connect button on the system, press only the Connect button on the keyboard or the mouse. Pressing another key may cause the sync to take longer or to time out. If the receiver times out, you must press the system Connect button until the LED blinks, and then press the keyboard or the mouse Connect button until the LEDs blink.

---



# Connecting the TV Signal Source to the PC

**NOTE:** The number and type of cables required to connect your HP TouchSmart PC may vary by model.

You may need to purchase extra cables separately. Your HP TouchSmart PC may not include all the cables you need for your computer setup, and the cables included may vary by model.

Use these steps to connect the TV signal source, the FM signal antenna, or video and audio from a set-top box or DVD player. Some HP TouchSmart PC models have only the TV connector.

Shown below are three different TV tuner connectors your HP TouchSmart PC may include:

## TV/In Cable antenna connector only

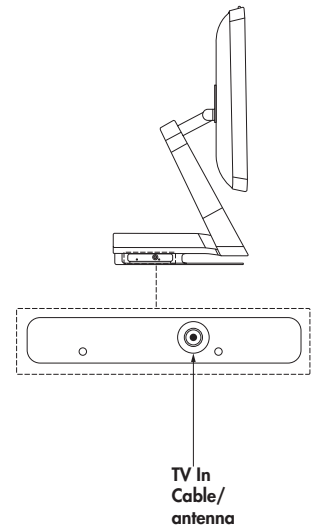
If your TV tuner looks like this, follow this procedure:

- 1 Connect the coaxial cable from your TV antenna or TV cable provider to the TV In connector on the left side of the HP TouchSmart PC.

Or

Plug an S-V/Cable antenna video cable into the S-Video connector in the front Connectivity Center of the HP TouchSmart PC. Plug the other end of the cable into your set-top box or other device that is providing the signal source for the TV.

- 2 If you are using the S-Video connector, plug audio cables from your set-top box into the audio left and right connectors in the front Connectivity Center of the HP TouchSmart PC.
- 3 If you are using the set-top box, connect the IR emitter cable. See "Connecting the IR emitter."



## FM antenna, TV In, S-Video, Video Composite, left and right audio connectors

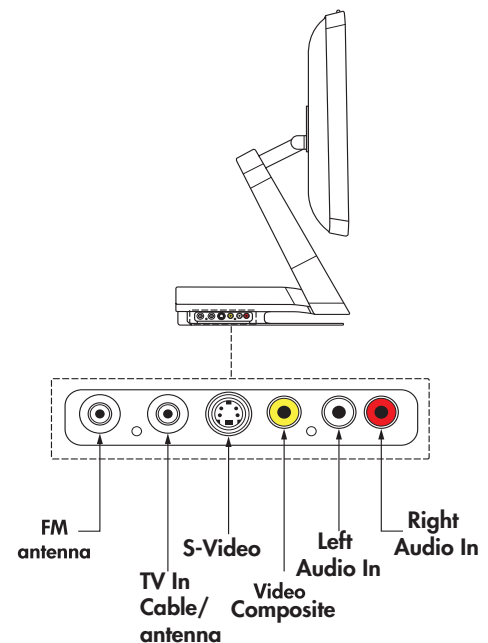
If your TV tuner looks like this, use the following procedure:

- 1 Connect the coaxial cable from your TV antenna or TV cable provider to the TV In/Cable/Ant connector on the left side of the HP TouchSmart PC.

Or

Plug a cable into the S-Video or Video (composite) connector on the left side of the HP TouchSmart PC; use an S-Video cable or composite video cable. Plug the other end of the cable into your set-top box or other device that is providing the signal source for the TV.

- 2 If you are using the S-Video or video connector, plug audio cables from your set-top box into the audio left and right connectors on the left side of the HP TouchSmart PC.
- 3 Push the coaxial cable from your FM antenna or signal provider onto the FM connector on the left side of the HP TouchSmart PC.
- 4 If you are using the set-top box, connect the IR emitter cable. See "Connecting the IR emitter."



## FM antenna, TV In, HDTV/ATSC, S-Video, left and right audio connectors

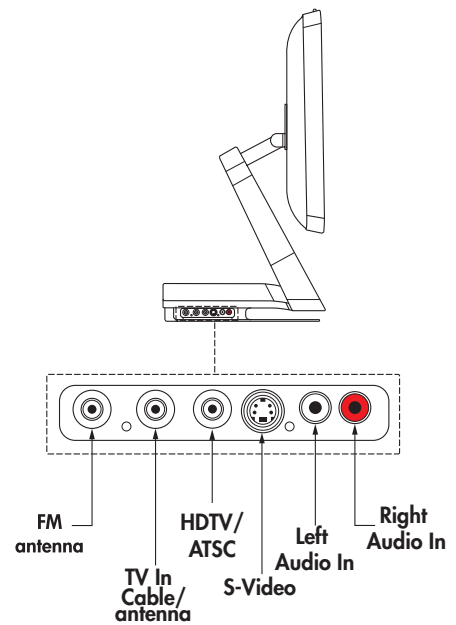
If your TV tuner looks like this, use the following procedure:

- 1 Connect the coaxial cable from your TV antenna or TV cable provider to the Cable/Ant connector on the left side of the HP TouchSmart PC.

Or

Plug a cable into the S-Video or video (composite) connector on the left side of the HP TouchSmart PC; use an S-Video cable or composite video cable. Plug the other end of the cable into your set-top box or other device that is providing the signal source for the TV.

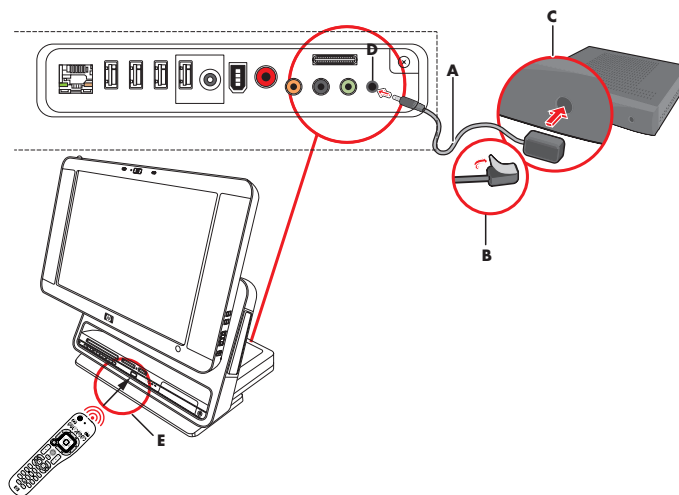
- 2 If you are using the S-Video or video connector, plug audio cables from your set-top box into the audio left and right connectors on the left side of the HP TouchSmart PC.
- 3 Push the coaxial cable from your FM antenna or signal provider onto the FM connector on the left side of the HP TouchSmart PC.
- 4 If you are using the set-top box, connect the IR emitter cable. See "Connecting the IR emitter."



## Connecting the IR emitter

The remote infrared emitter cable is a small device that connects to the HP TouchSmart PC at the IR Out connector and covers the remote sensor on a set-top box. It enables the remote control that came with your HP TouchSmart PC and the Windows Media Center program to operate the set-top box.

- 1 If you have a cable TV set-top box, a satellite set-top box, or another set-top box that controls your TV signal, connect the IR emitter cable (A) to IR Out connector (D) on the back of the HP TouchSmart PC.
- 2 Remove the paper from the backing tape on the end of the cable (B), and then press the end of the cable over the remote infrared (IR) sensor (receiver) window on the set-top box (C). To locate the remote infrared sensor window, shine a flashlight through the plastic on the front of the set-top box.
- 3 In the Windows Media Center, select the channel using the screen, the display channel buttons, or the remote control channel buttons. When using the remote control, point the remote control at the HP TouchSmart PC front (E), not at the set-top box.



# Connecting an HP Photo Printer

Some HP photo printer models (A510 Series and A610 Series sold separately) can be placed on the printer dock on the back of the HP TouchSmart PC to provide a photo kiosk experience at home and save counter space at the same time. You can power the HP printer without using a separate power cable by connecting the printer to your HP TouchSmart PC using the included HP printer Y-cable.

---

**NOTE:** If using the HP printer (USB and power) Y-cable to connect the HP printer to the HP TouchSmart PC, when the HP TouchSmart PC goes into sleep mode, the printer batteries do not charge and printing may be terminated. The HP TouchSmart PC must remain operational while printing completes.

---

## Connecting a printer

- 1 Connect cabling to the printer:

---

**NOTE:** Printer installation procedure varies based on manufacturer. Follow manufacturer instructions.

---

- Open the paper output tray of an HP Photosmart A510 or A610 Series printer (sold separately) and place it on the back of the HP TouchSmart PC. Connect the HP printer (USB and power) Y-cable to the printer AC power cord connector and USB connector.

Or

- Connect the power cord and USB cable to the printer. Plug the power cord into a power source.

- 2 Connect cabling to the HP TouchSmart PC:

- Connect the other end of the HP printer Y-cable to the paired USB connector and HP printer power connector on the back of the HP TouchSmart PC.

Or

- Connect the USB cable to the back of the HP TouchSmart PC.

- 3 Turn on the printer.

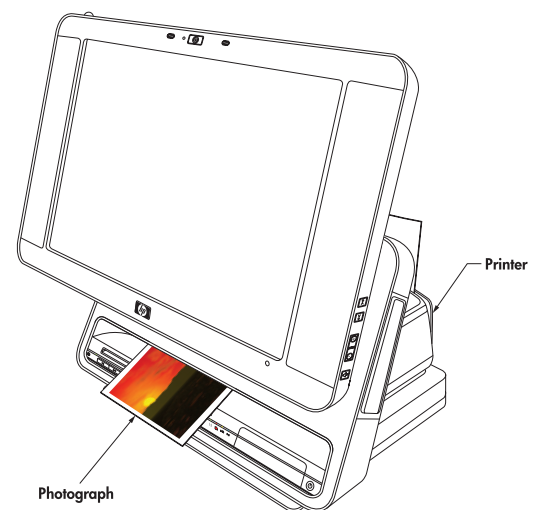
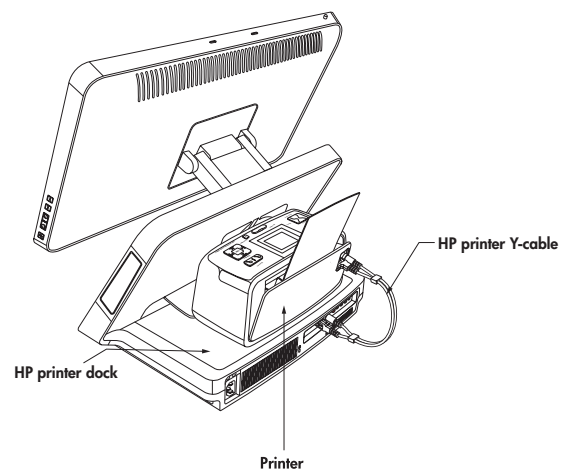
- 4 To print a photo, open the back of the photo printer and insert photo paper.

- 5 Print the photo. The photo ejects out of the printer and through the front of the HP TouchSmart PC. For information about using the printer, refer to "Using a Printer" in the "Managing Files" chapter of the *Getting Started* guide.

---

**NOTE:** If your photo doesn't print, make sure the paper output tray and the back of the printer are open for the paper to eject properly.

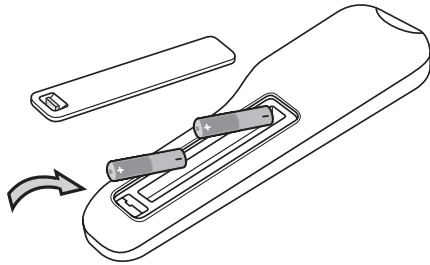
---



# Setting Up the Remote Control

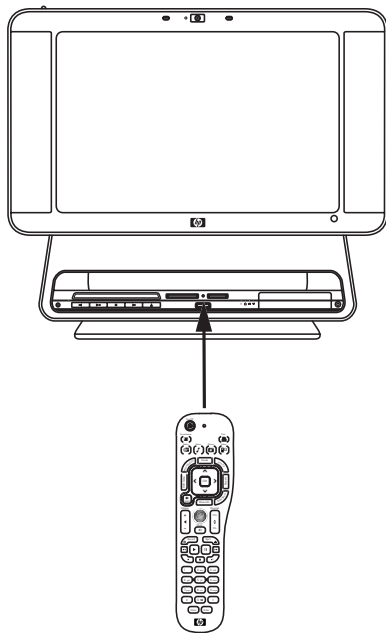
## Setting up the remote control to use with Windows Media Center

Remove the back cover of the remote control and insert two AA batteries in the remote control. Make sure the batteries are inserted in the correct direction with the + and – symbols on the batteries matching the ones on the remote control.



## Using the remote control

Point the remote control at the remote control sensor at the front of the HP TouchSmart PC, and press a button.



Pressing the On/Standby button turns the HP TouchSmart PC on or puts it in Standby (sleep) mode.

For more information about the remote control, refer to “Using the Windows Media Center Remote Control” in the *Getting Started* guide.

# Using a Wireless Network and Bluetooth Devices

Your HP TouchSmart PC is designed to support a wireless local area network (LAN) and wireless connections with other Bluetooth devices.

## Setting up a wireless local area network

Your home LAN may consist of a wired or a wireless network that you can use to connect your HP TouchSmart PC to other devices on the network, including other computers. The network components may include a hub or a switch, which can connect multiple devices to the network, or a router, which can connect computers or a broadband Internet connection to the network. This network connection also enables you to share data, and printers or other devices among your computers. The network connection to the Internet is usually through a broadband (DSL or cable) modem, which may require a separate subscription.

For more information, see "Connecting to the Internet."

## Using Bluetooth devices

Bluetooth devices create a personal area network (PAN) to connect other Bluetooth devices such as computers, phones, printers, headsets, speakers, and cameras. In a PAN, each device communicates directly with the other devices, and the devices must be relatively close together.

# Connecting to the Internet

For Internet connectivity (optional), use wireless LAN, or connect an Ethernet cable for a wired LAN connection:

- For a wireless LAN, the HP TouchSmart PC includes a built-in wireless LAN, which you can use to access your wireless home network. The HP TouchSmart PC is also Bluetooth enabled, so you can connect all kinds of wireless devices. See “Using Bluetooth devices.”
- For a wired LAN, connect an Ethernet cable (sold separately) to the Ethernet connector on the back of the HP TouchSmart PC, and then connect the other end to the network router or cable modem.

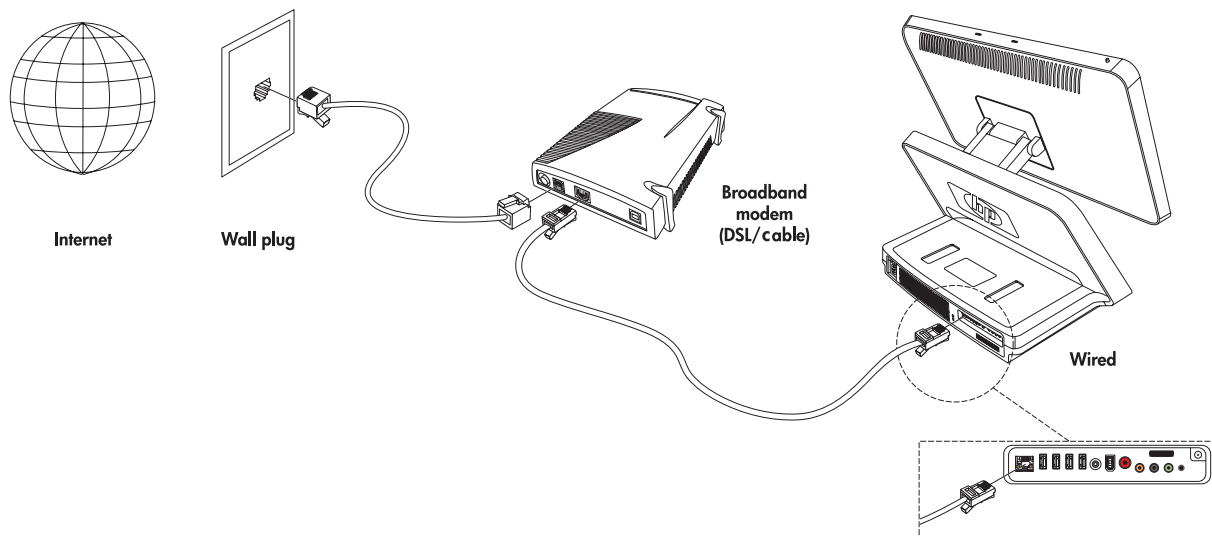
---

**NOTE:** Broadband modem and router installation procedures vary based on manufacturer. Follow manufacturer instructions.

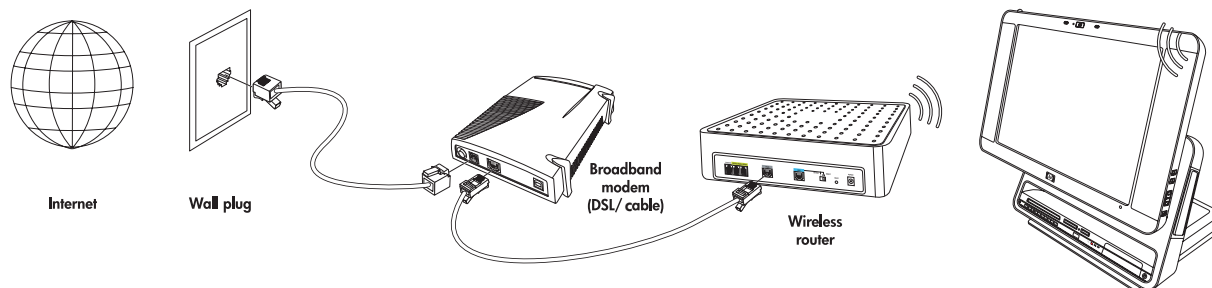
---

To set up your Internet connection, the following items are needed:

- Broadband modem (DSL or cable) with high-speed Internet service purchased from your Internet service provider (ISP)
- Wireless or wired router (sold separately)
- Computer connection: wired or wireless
  - Wired uses Ethernet cable (sold separately) from computer to network router or cable modem.



- Wireless uses the computer built-in antenna.



# Setting up a network and the HP TouchSmart PC

First time wireless network installation requires that you:

- 1 Purchase high-speed Internet service.
- 2 Purchase and install a wireless router.
- 3 Configure the HP TouchSmart PC to connect to the wireless network.
- 4 Add your wired computer or devices to the network (optional).

## Purchase high-speed Internet service

If you already have high-speed Internet service (DSL or cable), skip to “Purchase and install a wireless router.”

If you do not have high-speed service, proceed with the steps below.

- 1 Contact a local ISP to purchase high-speed Internet service and a DSL or cable modem. The ISP will help set up the modem, install an data cable to connect the modem to the service, and test the service. If the ISP provides a single device that acts as both a modem and a wireless router, you can proceed to “Purchase and install a wireless router.”
- 2 Your ISP will give you a user ID and password to access the Internet through its service. Record this information.

---

**NOTE:** HP recommends that you protect your HP TouchSmart PC from Internet viruses by installing a firewall and using anti-virus software that is updated regularly. For more information about using security software, go to Help and Support. Click **Start** on the taskbar, click **Help and Support**. Type *Firewall* or *Anti-virus software* into the search box and press the Enter key.

---

## Purchase and install a wireless router

Read through these steps before you install the wireless router using the router manufacturer’s instructions and your computer. If you need technical assistance during the router installation, contact the router manufacturer.

- 1 Many wireless routers are shipped with a default network name (SSID) and security disabled. The router manufacturer’s software allows you to change the SSID and enable security to protect the privacy of your wireless network. If you change the default SSID or enable security during the router setup, record the information. You need this information when you configure your computer and any other existing computers to access the router.
- 2 The most common security levels are WPA-Personal and WEP. Some router manufacturers may provide additional security levels. If you enable router security, record the password and security key. The password may be called an *encryption key*, *passphrase*, or *pre-shared key*.
- 3 Locate and use the wireless router manufacturer’s instructions to install the wireless router. After you complete the router installation, return to these steps.
- 4 Test your wireless router setup by opening the Web browser and accessing any Web site. Do not continue until you have successfully accessed a Web site.

## Configuring the HP TouchSmart PC to connect to the wireless network

- 1 Turn on your HP TouchSmart PC.
- 2 To connect your HP TouchSmart PC to the wireless network:
  - Right-click the network icon in the system tray, and then select **Connect to a network**. When the window opens, select the network and click **Connect**.

Or

  - Right-click the network icon in the system tray, and then select **Network and Sharing Center**. When the window opens, select **Setup a wireless router or access point**, and then follow the onscreen instructions.
- 3 Test the wireless network by opening your Web browser and accessing any Web site.

## Adding your wired HP TouchSmart PC to the network (optional)

This optional procedure applies to only those HP TouchSmart PCs that are already configured to access the Internet.

- 1 Disconnect power from the broadband modem and the wireless router, and then shut down your HP TouchSmart PC and the computers you want to add to your network.
- 2 For each wired computer, connect one end of an Ethernet cable to the LAN connector on the computer, and then connect the other end of the cable to any available Ethernet connector on the wireless router.
- 3 Reconnect power to the modem and wait until the modem has completed its startup cycle. Reconnect power to the wireless router. Then, turn on the wired computers and your HP TouchSmart PC.
- 4 Test the network connection for each wired computer by opening the Web browser and accessing any Web site.



# Using the HP TouchSmart PC

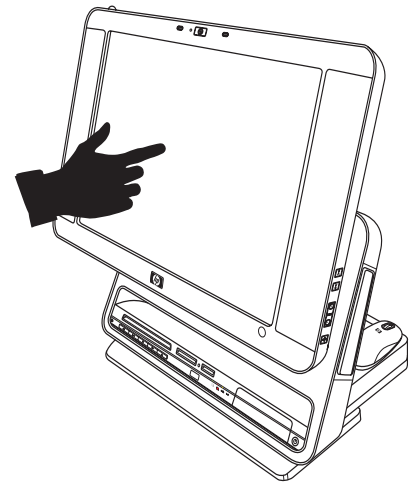
## Using the HP TouchSmart PC Screen

The angle and height of HP TouchSmart screen is easily adjustable by each person using it. You can move it up and down and tilt it back and forth to the angle that is comfortable for each person.

### Selecting items with your touch screen

To select items on your touch screen you can:


- Press once just like a single mouse click.
- Tap twice quickly like a double mouse click.
- Open a secondary menu as you would do when you perform a right mouse click, by pressing and holding until the menu appears and then moving your finger to select the menu item. When you release your finger, the item is selected.

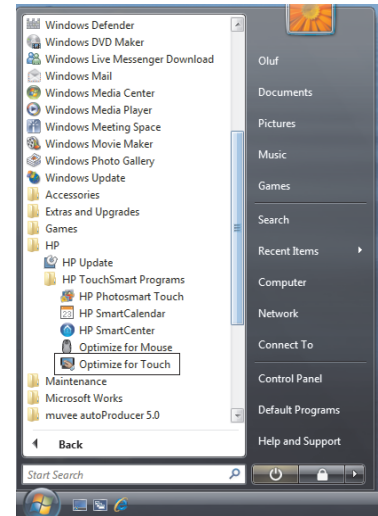


### Optimizing the screen for touch or the mouse

When the screen is optimized for touch, icons, scroll bars, and some fonts are enlarged for easy selection, and a desktop icon is opened with a single-click. When the screen is optimized for the mouse, icons, scroll bars and fonts are smaller and a desktop icon is opened with a double-click.

To optimize your screen for touch or mouse:

- 1 Press or click the **Windows Start Button**  on the taskbar.
- 2 Press **All Programs**.
- 3 Scroll down the Start menu, if needed, and then press **HP**.
- 4 Press **HP TouchSmart Programs**.
- 5 Select **Optimize for Mouse** or **Optimize for Touch**.



## About touch screen technology

Conventional touch screens, such as in airport check-in terminals or cash registers in a restaurant use a touch overlay sensor material which requires a physical press to register the touch. This type of touch screen has a limited in-use life. Such an overlay also impairs the image quality.

In contrast, the HP TouchSmart PC touch screen uses a sensitive optical technology which registers a touch just before the finger or stylus actually touches the surface. This optical touch technology does not have an overlay and is designed to have a longer in-use life.

---

**NOTE:** Any moving object, such as an insect, that makes contact with the touch screen, may register as a valid touch.

---

Because this optical technology is sensitive, HP recommends that you handle your touch screen with care.

Please review the following cautions:



**CAUTION:** Because you HP TouchSmart touch screen uses a sensitive optical technology, do not apply pressure on the front of the display or around the screen borders to avoid damaging the touch screen.

---



**CAUTION:** Keep the screen clean from foreign objects to achieve the best touch sensitivity. Avoid excessive dust accumulation on all sides of the border of the screen. See "Cleaning the HP TouchSmart PC Screen" on page 23.

---



**CAUTION:** Like any other home electronic products, please keep the HP TouchSmart PC away from liquids or a harsh environment that contains excessive dust, heat, or humidity.

---

## Cleaning the HP TouchSmart PC Screen

For optimal touch performance, the HP TouchSmart PC screen requires periodic cleaning to remove any particles on the sides and surface of the screen. The touch screen has a protective glass surface that can be cleaned by using a soft cloth or paper towel dampened with a typical household glass cleaner.

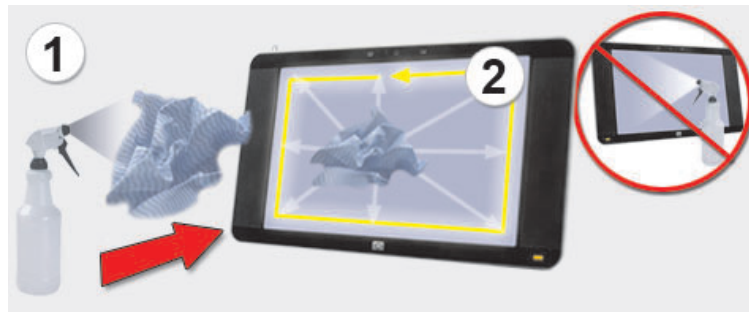
To clean the touch screen:

- 1 Disable the touch screen by turning off the PC and disconnecting the power cord from the wall.
- 2 Spray a small amount of a mild glass cleaner onto a lint-free soft cloth.
- 3 Wipe the surface and each side of the display to remove any dirt, fingerprints, or other debris that could hinder the touch recognition of the screen.



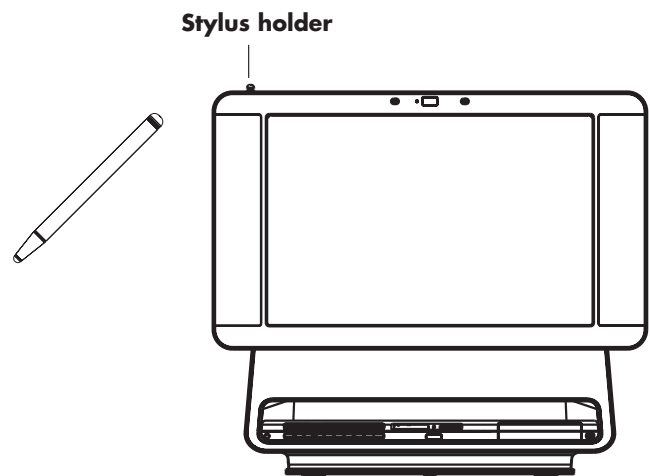
**CAUTION: Do not spray or place the cleaner directly on the screen; spray the cleaner into the cloth and then wipe the sides and surface of the touch screen. Also, avoid wiping in the top corners where the optics are located.**

**Do not use an abrasive cleaner or cloth when cleaning the sides or the surface of the screen as this could cause damage to the touch screen.**



## Using the stylus

You can use the stylus as a pointer device, like your finger or a mouse click to more precisely control the touch screen navigation. You can also use it as a writing device when creating notes in the HP SmartCalendar.



# Using the Built-in Web Camera and Microphone

Your HP TouchSmart PC comes with a built-in Web camera and array microphone located at the top and corners of your display. You can use them to have video chats or make conference calls over the Internet.

## Having a video chat or making conference calls

In order to set up a video chat, you must have a connection to the Internet, an Internet Service Provider (ISP), and a software that enables you to make video calls over the Internet. Just like instant messengers, you can use this kind of software to chat with one or more people at a time. You can bookmark the chat contact or group and find it later which is convenient for regular chats with family or business contacts.

To set up a video chat:

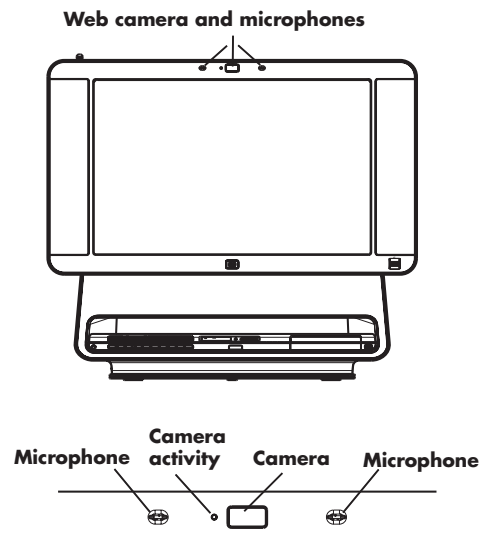
- 1 Download an Internet messenger or video phone call software program. Make sure the person you are calling has compatible video calling software.
- 2 Enable your Web camera as the default video input. This is usually done through the video setup in the software program tools menu.

---

**NOTE:** This software may require a separate subscription.

---

- 3 Send your video call by following the instructions of the video calling software program.

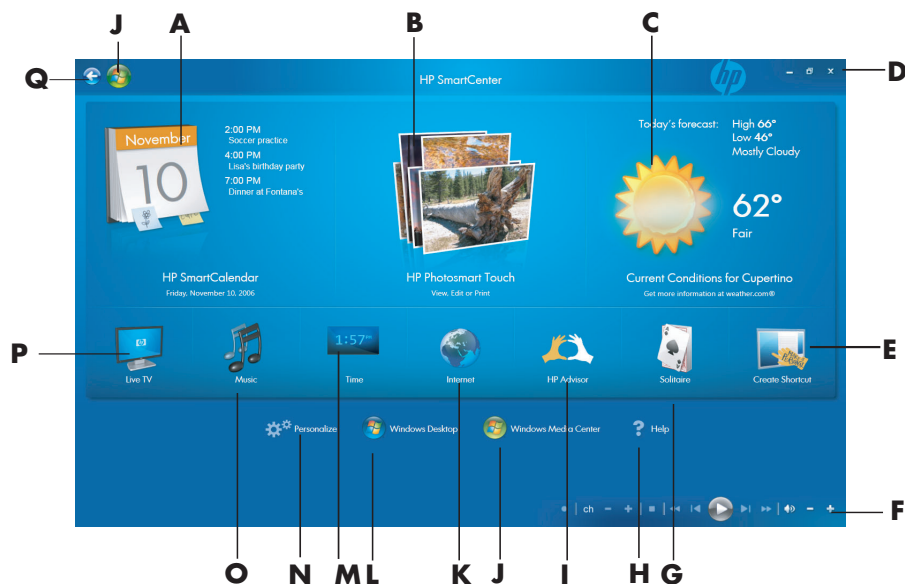


# Using the HP TouchSmart PC Software

## What is HP SmartCenter?

HP SmartCenter is a launch page you can personalize for quick access to information and links to your favorite programs, Web sites, and other PC utilities. From the HP SmartCenter page, you can quickly access information on the Internet, view your photos, or check the weather anywhere in the country with just a few touches. For more information about HP SmartCenter, see "Navigating in HP SmartCenter" on page 26.

Listed below are some of the things you can do to simplify your HP TouchSmart PC experience using HP SmartCenter.




**NOTE:** If you have trouble opening a shortcut, close the HP SmartCenter window and open it again by pressing the **Windows Start Button** on the taskbar, pressing **All Programs, HP, HP TouchSmart Programs**, and then **HP SmartCenter**.

- A** Quickly open your HP SmartCalendar program where you can create notes for family members, schedule events, and set up reminders.
- B** Quickly access your HP Photosmart Touch program, where you can quickly view, edit, and print your digital photos.
- C** Get the latest weather forecast for your area. Currently, this feature is available only in the United States, not in Canada or the United Kingdom.
- D** Close, minimize, and maximize your HP SmartCenter window.
- E** Add a link to a software program or a Web site.
- F** Use your media transport controls to control your digital media such as viewing photo slideshows, pausing live TV, and watching your home videos.
- G** Launch the game Solitaire. Shortcuts to other games can be accessed by using the Personalize tool. See "Other HP SmartCenter Features" on page 38.
- H** Open a help file that contains information about using your HP SmartCenter software.
- I** Access HP Advisor, where you can find shortcut links and tools; find PC storage and HP warranty information, get HP software and driver updates, get important messages from HP, and access PC Health and Security and PC Help & Tools. HP Advisor is available in North America only.
- J** Open Windows Media Center to access your recorded TV programs, music, photos, videos and more.
- K** Launch Internet Explorer so you can access information on the Internet.
- L** Go to the Windows Vista Desktop.
- M** Display the time and location of up to three different places of your choice.
- N** Personalize your HP SmartCenter page and change certain display settings.
- O** Launch Windows Media Center so you can browse your music collection and play your favorite tracks.
- P** Switch to live TV in Windows Media Center when your PC is connected to a TV signal and you have set up Windows Media Center to access your TV signal.
- Q** Use the Back button to move back to a previous window.

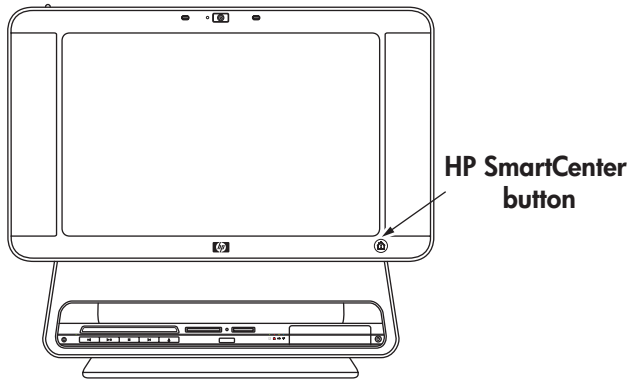
## Navigating in HP SmartCenter


You can use touch, the wireless keyboard and mouse, or your remote control to select and deselect items in HP SmartCenter.

You can press **Back to HP SmartCenter**  when you want to go back to the main HP SmartCenter window.


## Opening HP SmartCenter

To open your HP SmartCenter:



- 1 Press the HP SmartCenter  button on the lower-right side of the HP TouchSmart PC display.

Or

- 1 Press or click the **Windows Start Button**  on the taskbar.
- 2 Press or click **All Programs**.
- 3 Scroll down the Start menu, and then press or click **HP**.
- 4 Press or click **HP TouchSmart Programs**.
- 5 Press or click **HP SmartCenter**.




## Using the remote control with HP SmartCenter

You can use the remote control on the main page of HP SmartCenter. Use the arrow keys to highlight a shortcut, and then use the OK key to activate the highlighted shortcut. The selected item appears with a box around it.

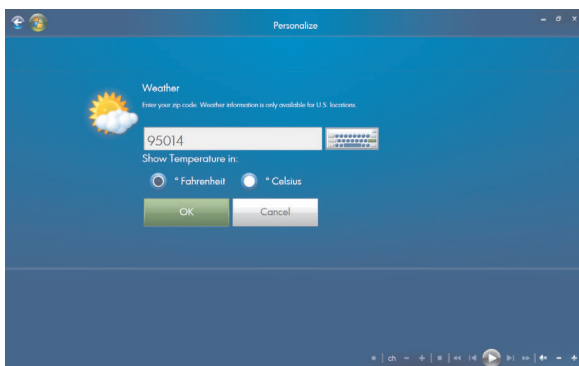
## Changing the weather location

Your HP TouchSmart PC has a link to a two-day weather forecast for any area in the United States. Your model has Cupertino, California's weather displayed as a default. To change it to your location:

- 1 Open the HP SmartCenter page.
- 2 Press the weather  icon.
- 3 Press **Change Zip Code**.



- 4 Use your keyboard or press the touch keyboard to enter your zip code.
- 5 Select **Fahrenheit** or **Celsius**.
- 6 Press **OK**.

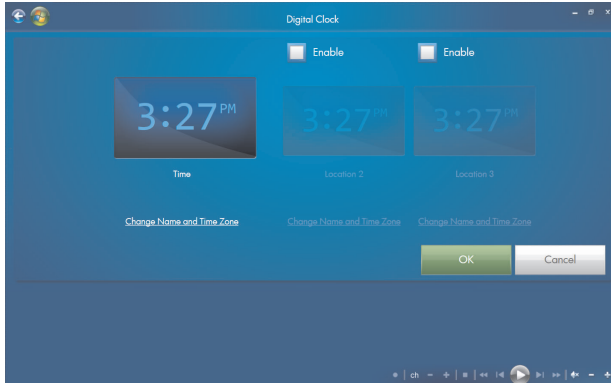


- 7 Press **Back to HP SmartCenter**  when you are finished.

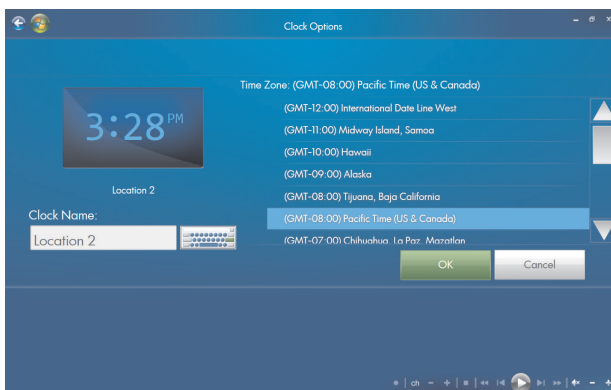
# Changing the HP SmartCenter clock settings

To change it to your time zone:

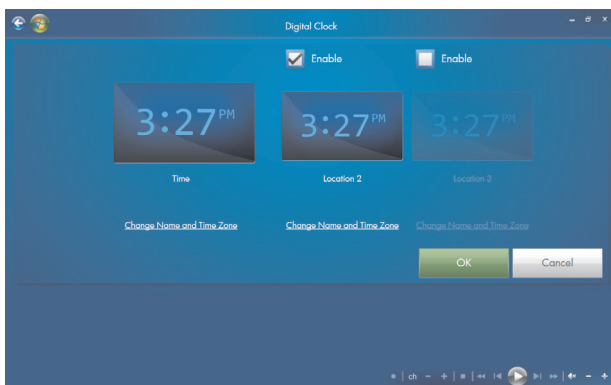
- 1 Open the HP SmartCenter page.
- 2 Press the analog or digital **Clock** icon.
- 3 Press **Change Name and Time Zone** under the first clock or press the clock.




- 4 Under *Clock Name*, touch the word *Time*, and then move your finger over it to highlight the word. When selected, type in a new name such as *San Francisco Time* or *Uncle Billy*.



- 5 Select your time zone by touching an item in the list. You can view more time zones by using the scroll bar. When finished, touch **OK**.
- 6 To enable the other two time zones, place a check in the **Enable** check box.





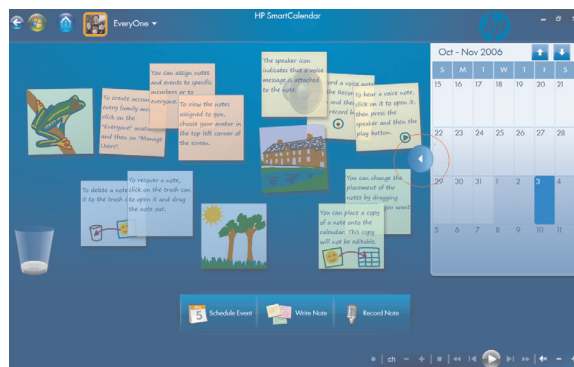
- 7 Press **Change Name and Time Zone** under the clock you want to add or touch the clock.
- 8 Under *Clock Name*, touch the word *Time*, and then move your finger over it to highlight the word. When selected, type in a new name such as *Hong Kong Time* or *Mike in Idaho*.
- 9 Select your time zone by touching an item in the list. You can view more time zones by using the scroll bar. When finished, touch **OK**.
- 10 Press the **Back to HP SmartCenter**  icon when you are finished.
- 11 To view the two other time zones, press the **Time** icon from the main HP Smart Center page.

**NOTE:** Only one time can appear on the main HP SmartCenter page unless you move the Clock icon into the top row when you personalize your HP SmartCenter page. Refer to “Changing what you can launch from HP SmartCenter” on page 39.

## Using HP SmartCalendar


HP SmartCalendar is a shared calendar and message center where you can manage your family’s schedule. With HP SmartCalendar you can schedule family events and stay in touch with voice and text messages that you can create using touch, the stylus, the keyboard, or your voice.

You can create notes for specific events and set up reminders that the HP TouchSmart PC can display using the yellow indicator on the front of the PC.



## Opening HP SmartCalendar

To open your HP SmartCenter:

- 1 Press the HP SmartCenter  button on the lower-right side of the HP TouchSmart PC display.

Or

Press or click the **Windows Start Button**  on the taskbar.

- 2 Press or click **All Programs**.
- 3 Scroll down in the Start menu, and then press or click **HP**.
- 4 Press or click **HP TouchSmart Programs**.
- 5 Press or click **HP SmartCenter**.

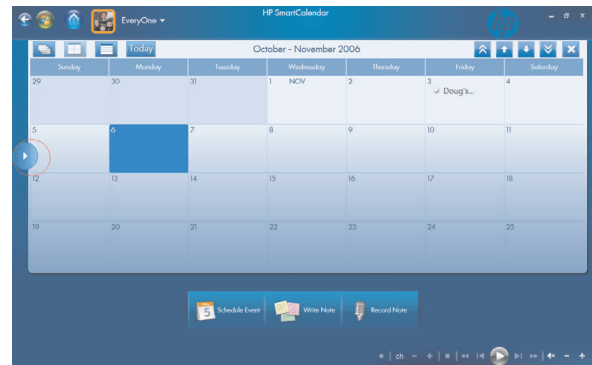
- 6 Press the **HP SmartCalendar**  icon.

## Viewing your calendar

When you open your HP SmartCalendar home page, your calendar appears on the right side of the screen, and the bulletin board for your notes appears on the left side. To open the calendar up to full view, just press the arrow on the left side of the calendar. To close the calendar and show the bulletin board, press the arrow on the left side of the calendar.



**Bulletin board and calendar view**



**Calendar view**

When your calendar is in full-screen mode, you can choose other views by pressing the icons in the calendar toolbar shown below. You can view it as one month, one year, one week, or one day. You can also use the arrows on the calendar window to scroll up or down one week at a time or 4 weeks at a time.



**One year**

**One month**

**One week**

**One day**

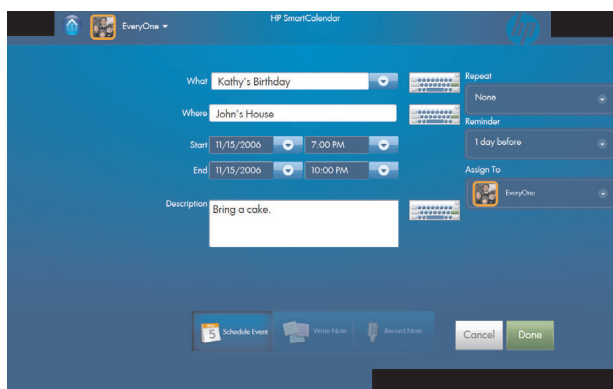
## Scheduling an event

Windows login accounts (Administrator, Guest) are separate from your HP SmartCalendar accounts. You must set these accounts up separately, and you can do so with family group accounts or individual accounts.

Events are displayed up on the main HP SmartCenter page if the calendar icon is located in the top row. The main HP SmartCenter page displays up to three appointments. It updates periodically by removing past events and listing upcoming appointments for that day. HP SmartCalendar shows the appointment start times and the description of the event when displayed on the main page.

To schedule an event on your calendar:

- 1 Open HP SmartCalendar.
- 2 Press **Schedule Event**.



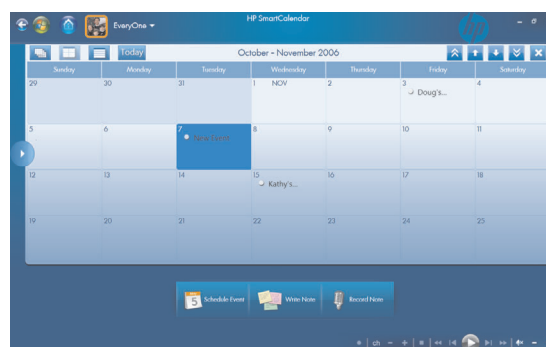
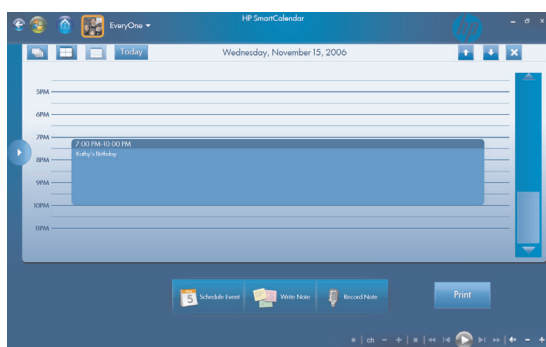
- 3 Touch the text box next to *What* to type in an event or press the drop-down arrow to select an event. Use the touch keyboard or your physical keyboard to type in an event.
- 4 Touch the text box next to *Where*, and type in where your event takes place.
- 5 Press the drop-down arrows next to your start and end dates and the start and end times to enter this information for your date and time of your event.
- 6 Touch the text box next to *Description* to add more information about your event.
- 7 If this is a reoccurring event, use the drop-down arrow under *Repeat*, and select **Daily**, **Weekly**, **Monthly**, or **Yearly**.
- 8 If you want to set a reminder to alert you before the event, use the drop-down arrow under *Reminder* and select **15 minutes before**, **1 hour before**, **1 day before**, or **1 week before**.
- 9 Under *Assign To*, use the drop-down arrow to assign the event to one or more members of the family.

---

**NOTE:** Each member or group must have a user account set up in HP SmartCalendar in order to show up in this list.

---

- 10 Press **Done** after you have entered all of your event information. Your event appears as a white dot on your calendar. To view it, just touch the date, and then touch the event.



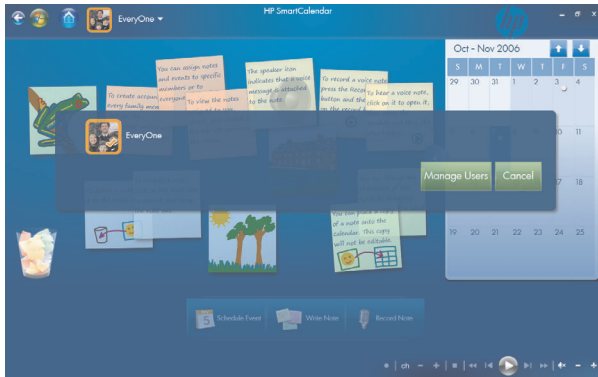
- 11 To print a date, just touch the date and then press the **Print** button on the screen and follow onscreen instructions.

## Adding user accounts in HP SmartCalendar

You can set up user accounts in HP SmartCalendar so that each person can have access to personal notes that others assign to you.

To add user accounts in HP SmartCalendar:

- 1 Open HP SmartCalendar window.
- 2 Press the add user  icon on the toolbar.



- 3 Press **Manage Users**.
- 4 Press **Add User**, **Edit User**, or **Delete User**.
- 5 If you selected **Add User**, type the name, select an icon, or press **Browse** to find your icon.
- 6 Press **Save**.
- 7 Press **Close**.

## Deleting an event



To delete an event from your HP SmartCalendar, touch the date, touch the event, and then press the **Delete** button on the screen.

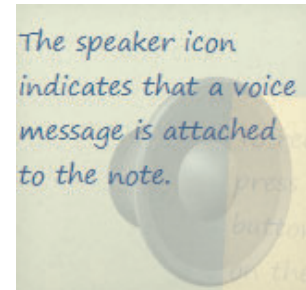
## Creating text notes with the touch screen, stylus, or keyboard

- 1 Open HP SmartCalendar.
- 2 Press **Write Note**.
- 3 Select a paper color.
- 4 Press the drop-down arrow next to *Assign note* and select a user, and then press **Done**.
- 5 Select a tool to enter your text and graphics:
  - Select the Pen icon to use your finger or the stylus.
  - Select the ABC icon to use your keyboard.
  - Use the Eraser tool to erase a hand-written message and start over.
- 6 Enter your text using the tool you selected. You can create a note using different tools.
- 7 Press **Done** when you are finished. Your note appears on your bulletin board next to your calendar.



## Creating voice messages

- 1 Open HP SmartCalendar.
- 2 Press **Record Note** at the bottom of the screen.
- 3 Press the **Record**  button to record a short message (120 seconds maximum).
- 4 Press the **Stop**  button to stop recording your message.
- 5 Press the **Play** button to listen to your message.
- 6 Press **Done** when you are finished. Your voice note appears with a speaker next to your calendar. Voice notes can be played back by touching the note, selecting the microphone icon, and then pressing the **Play** button.



---

**NOTE:** If you move a copy of a voice note to your HP SmartCalendar, you cannot listen to the message from the calendar view. You can only play voice notes from the bulletin board.

---

## Moving notes to your calendar

When you create a note you can copy it to a specific date on the calendar by dragging the note to a date. It then appears as a *Reminder* on the date you selected. To view the note, press the date, and then press the reminder.

---

**NOTE:** Once you move a copy of your notes to the calendar, you cannot edit them. You must edit notes from the bulletin board and then drag a copy of the new note to the calendar date.

---

## Editing notes

When your notes appear next to the calendar, you edit them. Just press them to open them in the create a note window.

Once you move your notes to the calendar, they can no longer be edited.

## Deleting text and voice notes

- 1 Open HP SmartCalendar.
- 2 Press the note you want to delete and drag it to the wastebasket icon in the HP SmartCalendar page.



# Using HP Photosmart Touch

With HP Photosmart Touch you can upload, view, edit, and print your digital memories with the touch of a finger. The easy-to-use touch display lets you view and print photos as easily as using a photo kiosk.

You can use the accessible card readers on the front of the HP TouchSmart PC to easily upload photos from your digital camera. You can also add an HP photo printer (A510 Series and A610 Series) where your photos print out right under the display.



## Opening HP Photosmart Touch

To open your HP Photosmart Touch:

- 1 Open the HP SmartCenter page.

- 2 Press the **HP Photosmart Touch**  icon.

## Transferring your photos to the PC

You can transfer digital images and videos to the HP TouchSmart PC by using various methods. HP Photosmart Touch can import photos that are located in any device that is listed as Volume drive in Computer or Device Manager. If your device is not listed as a Volume drive, you must move your photos to a folder on your computer for HP Photosmart Touch to be able to find, display, edit, and print them.

To transfer photos to your PC:

- 1 Insert a memory card into the memory card reader.
  - a Connect a digital camera or digital video camera to the HP TouchSmart PC with the transfer cable that came with the device. (Select models have a digital camera docking bay.)

Or

  - b Insert a photo CD or DVD disc into the DVD drive.
- 2 Move your pictures to a PC folder, such as Pictures, or to your desktop.

## Working with digital images

You can connect a digital image source, such as a digital photo or video camera, directly to the HP TouchSmart PC or through a docking station. Most digital picture files you copy or download from the device appear in the Pictures folder.

---

**NOTE:** When transferring pictures from a digital photo camera to the HP TouchSmart PC in HP Photosmart Touch, set the camera's USB setting to disk drive instead of digital camera.

---






Windows Vista detects your external device and displays a message asking if you want to view your images.

You can copy digital picture files from the memory cards used by digital cameras and other digital imaging devices by using the memory card reader (select models only).

## HP Photosmart Touch shortcuts



Select the shortcut icons on the HP Photosmart window to perform the following tasks.

### HP Photosmart Touch Main Window

Button or Toolbar	Function
	<b>Refresh</b> the HP TouchSmart PC for any new photos that were added to your hard disk drive.
	<b>Import</b> your pictures from a camera, a memory card, or from a folder on your hard disk drive.
	<b>Print</b> your photos, photo packages, and index sheets using the images you select.
	Return to the main HP SmartCenter window.
	Enlarge or reduce the viewing size of your photos.

## Adding pictures to your HP Photosmart Touch library

The first time you open the HP Photosmart Touch program, a message appears asking if you want to create a library by finding images on your HP TouchSmart PC.

- 1 Open HP Photosmart Touch.
- 2 Connect your photo device or insert your media. Insert a memory card, external hard disk drive, CD, DVD, or digital camera.
- 3 Press the **Import** photos  icon.
- 4 Press **From Folder**, and browse to where your photos are located.
- 5 Select a folder to import, and place a check mark next to folder you want to import.
- 6 Press **OK**.
- 7 Press the **Refresh**  icon to update your HP Photosmart Touch library with any new photos that have been added to your hard disk drive.

## Searching for pictures with HP Photosmart Touch


You can search for pictures by date or tag in HP Photosmart Touch based on the date assigned by the camera when the picture was taken or the date the picture was scanned.

- 1 Open HP Photosmart Touch.
- 2 Press **Date**. Select the date of your picture. Use the scroll bar on the right to view all of the photos, if necessary.

Or

Press **Folder**. Select a folder, and then select the photos you want to view.

- 3 Use the scroll bar to find your pictures which are listed by the date they were added to your hard disk drive.

- 4 Press the **Refresh**  icon to update your HP Photosmart Touch library with any new photos that have been added to your hard disk drive.

## Selecting pictures in HP Photosmart Touch

You can view all of your images, individual albums, or pictures selected from a search.

- 1 Open HP Photosmart Touch.
- 2 Navigate to the group of pictures you want to view.
- 3 Touch the circle on the left side of the thumbnail image to select it for printing. A check mark appears when the photo is selected.



## Editing pictures in HP Photosmart Touch

You can make changes to your pictures in HP Photosmart Touch. Some of the editing features include removing red-eye, cropping, and rotating images.

- 1 Open HP Photosmart Touch.
- 2 Click anywhere on a photo (except on the circle on the left) to select it. When you select a photo, the HP Photosmart Touch editing window opens.



- 3 Select the editing option, such as **Crop**.



- 4 Select your cropping option of **Landscape**, **Portrait**, or **Custom**, press and drag the cropping arrows until you have the cropped image you want, and then select **Apply**.



- 5 Press **Done**.


---

**NOTE:** You may need to refresh the window to view your edited picture in your HP Photosmart Touch folders.

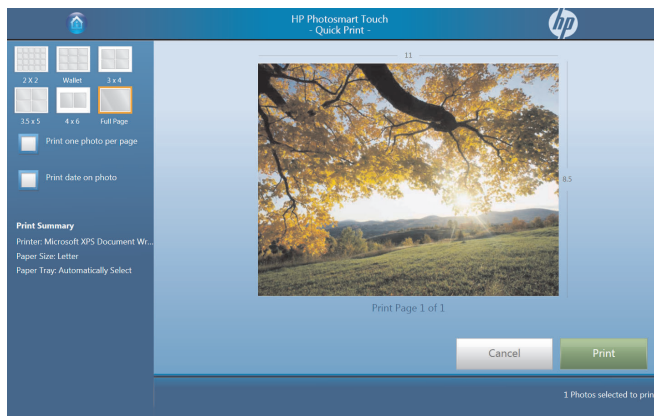
---

## Printing pictures in HP Photosmart Touch

You need to connect your printer and install any printer software before you can print from HP Photosmart Touch.

- 1 Open HP Photosmart Touch.
- 2 Select the photo you want to print by clicking the bottom-left corner. A check mark is displayed when a photo is selected.
- 3 Press the **Print**  icon at the bottom of the window.

- 4 Select your print options, and then press **Print**.




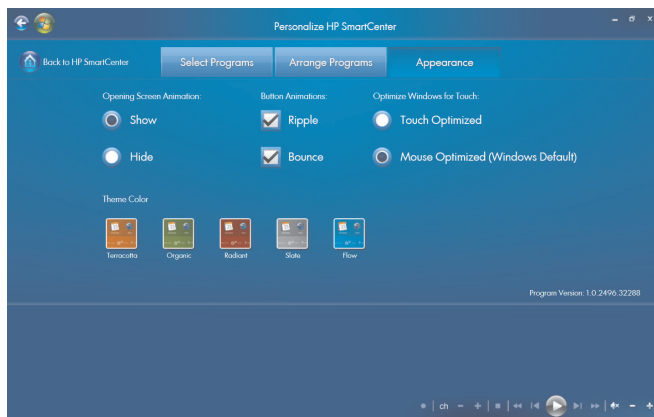
- 5 Follow any onscreen printing instructions.


## Other HP SmartCenter Features

### Personalizing your HP SmartCenter page


To change the look of your HP SmartCenter page:

- 1 Open the HP SmartCenter page.
- 2 Press or click the **Personalize**  icon.
- 3 Select the **Appearance** tab.



- 4 Select your HP SmartCenter page settings:
  - Under *Opening Screen Animation*, select **Show** or **Hide**.
  - Under *Button Animation*, check or uncheck **Ripple** or **Bounce**.
  - Under *Optimize Windows for Touch*, select **Touch Optimized** or **Mouse Optimized**.
  - Under *Theme Color*, select a color.
- 5 Press the **Back to HP SmartCenter**  icon when you are finished.


# Changing what you can launch from HP SmartCenter

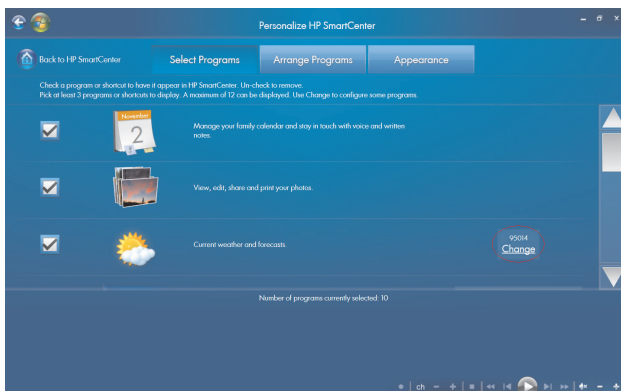
- 1 Open the HP SmartCenter page.
- 2 Press or click the **Personalize**  icon.
- 3 Select the **Arrange Programs** tab.
- 4 Click and drag the shortcut icon you want to move over another shortcut icon. When you let go, the shortcuts change position on your HP SmartCenter page.



- 5 Press **Back to HP SmartCenter**  when you are finished.

## Adding or removing a Web shortcut on the HP SmartCenter page

- 1 Open the HP SmartCenter page.
- 2 Press or click the **Personalize**  icon.
- 3 Select the **Select Programs** tab.



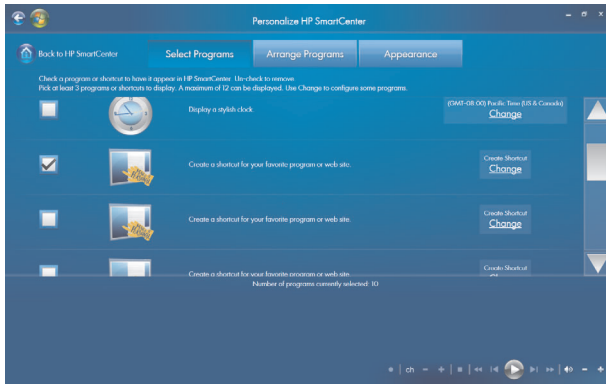
- 4 Select the shortcuts you want to appear by placing or removing the check mark next to each item listed. Use the scroll bar on the right side of the screen to view all of the shortcut items.


---

**NOTE:** Up to twelve and a minimum of three shortcut icons appear on the HP SmartCenter page at one time.


---

- To create a new shortcut, place a check mark next to *Create a shortcut for your favorite program or web site*, and then press **Create Shortcut Change** on the right side of the screen.



- Select **Web Page**.
- In the address field, press the touch keyboard icon to enter the Web address by touch, or you can use your physical keyboard to enter the address.
- Enter your shortcut name.
- Select an icon for your Web page shortcut.
- Press **OK**.
- Press **Back to HP SmartCenter**  when you are finished.


## Adding or removing a program shortcut on the HP SmartCenter page

- Open the HP SmartCenter page.
- Press or click the **Personalize**  icon.
- Press the **Select Programs** tab.
- Select the shortcuts you want to appear or remove by placing or removing the check mark next to each item listed.

---

**NOTE:** You can have up to twelve and a minimum of three shortcut icons at one time.

---

- To create a new shortcuts, press **Create Shortcut Change**.
- Press **Program**.
- Press **Browse** to locate a program you want to create a shortcut for, select it, and then press **OK**.
- Press **Back to HP SmartCenter**  when you are finished.

# Using the touch screen to access Windows Media Center

You can enjoy your favorite music, TV programs, slideshows, and movies by using Windows Media Center. All of the menus in Windows Media Center are accessible through touch as well as your remote control, keyboard, and mouse. It is your choice.

To open Windows Media Center from the Start menu just press the **Windows Start Button** on the taskbar, and then press **Windows Media Center**.

To open Windows Media Center from the HP SmartCenter just open HP SmartCenter and press the Windows Media Center icon.



To open HP SmartCenter:

- 1 Press the **Windows Start Button** on the taskbar.
- 2 Press **All Programs**.
- 3 Scroll down the Start menu, and then press **HP**.
- 4 Press **HP TouchSmart Programs**.
- 5 Press **HP SmartCenter**.



For more information about using Windows Media Center, refer to the *Getting Started* guide.

Some of the things you can do in Windows Media Center are:

- Use the included remote control or touch screen to quickly and easily access your music, TV programs, movies, and radio.
- Watch TV programs and movies.
- Browse and listen to your music collection.
- Play DVDs and videos.
- Listen to FM and Internet radio.
- Create music CDs and DVDs of your recorded TV programs.

## Opening HP SmartCenter from Windows Media Center

- 1 Click the **Windows Start Button** on the taskbar.
- 2 Click **Windows Media Center**.
- 3 From the Windows Media Center menu, scroll to **HP TouchSmart Programs**, and then select **HP SmartCenter**, **HP SmartCalendar**, or **HP Photosmart Touch**.

## Access PC updates, PC health and security information, and more with HP Advisor

HP Advisor is available in North America only.

1 Press or click the **Windows Start Button**  on the taskbar.

2 Click **HP Total Care Advisor**.

Or

Press or click **All Programs**, scroll down the Start menu, and then press or click **HP**. Press or click **HP TouchSmart Programs**. Press or click **HP SmartCenter**.

3 Click the **HP Advisor**  icon.



4 From here you can:

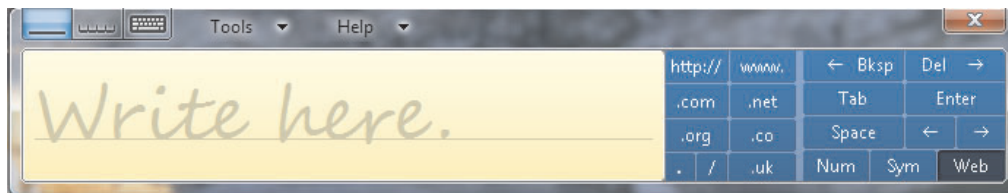
- View security information such as Windows Auto Update and Virus Protection.
- Get PC updates.
- Connect to the Internet and view Internet Service Provider offers.
- View HP warranty information.
- View connected printers and add a printer.
- Launch Microsoft Backup Tool.
- Access PC health and security information.
- Access PC help tools.
- Access PC Action Center, where you can get critical PC alerts, tips, and tricks regarding keeping your PC in good working order.

## Using Tablet PC software to enter text with the touch screen

Use Microsoft Tablet PC to enter text in any software program or Internet text field without using the keyboard. You can use the stylus or your touch to enter text on the touch screen by using the onscreen keyboard. Use the writing pad or the character pad to convert your handwriting into typed text, or use the onscreen keyboard to enter characters.

To open the Tablet PC Input Panel:

- 1 Press the **Windows Start Button** on the taskbar.
- 2 Press **All Programs, Accessories, Tablet PC**, and then **Tablet PC Input Panel**.



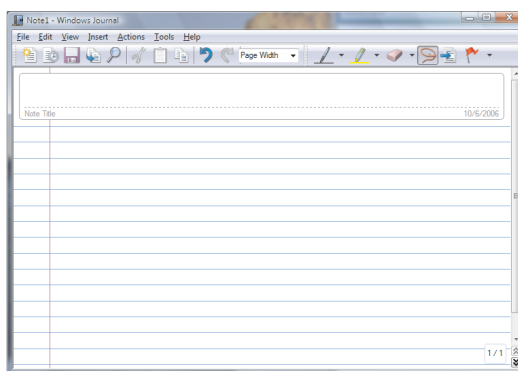
- 3 To move or dock the window to the side of your screen, just press the close button.
- 4 To move it back to the middle of the desktop, just touch and press it.
- 5 Use your stylus or your touch to write a note. You can also use the tools in the Windows toolbar to customize your note

## Using Windows Journal software to create hand-written notes and drawings

Use Windows Journal to write or draw using your stylus on the touch screen. You can save your handwriting in a note, convert the writing to type-written text, or just leave your handwriting or drawing as ink in a note. You can also insert pictures into your notes.

To open the Windows Journal:

- 1 Press the **Windows Start Button** on the taskbar.
- 2 Press **All Programs, Accessories, Tablet PC**, and then **Windows Journal**.



- 3 Use your stylus or your touch to write a note or draw a picture. You can also use the tools in the Windows Journal toolbar to customize your note.
- 4 To save your note, press the **File** menu and press **Save**.





# Upgrading the HP TouchSmart PC

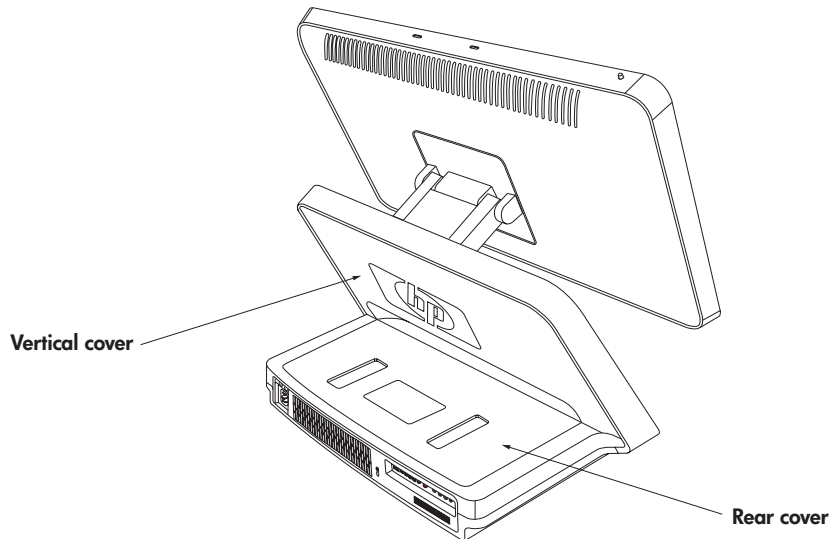
## Safety Information

This product has not been evaluated for connection to an "IT" power system (an AC distribution system with no direct connection to the earth, according to IEC 60950).



**WARNING:** Please read "Additional Safety Information" in the *Limited Warranty and Support Guide* before installing and connecting your system to the electrical power system.

## Opening and Closing the HP TouchSmart PC



## Preparing the HP TouchSmart PC

Before you upgrade any component in your HP TouchSmart PC, you need to prepare the HP TouchSmart PC so that you can safely handle it and the components.

Read the following items before attempting to upgrade or service the HP TouchSmart PC.

- 1 These procedures assume familiarity with the general terminology associated with personal computers and with the safety practices and regulatory compliance required for using and modifying electronic equipment.
- 2 Write down and save the system model and serial numbers, all installed options, and other information about the system. It's easier to consult this information than to open and examine the computer.

- 3 It is recommended that you use an antistatic wrist strap and a conductive foam pad when working on the system.



**WARNING:** Always disconnect the HP TouchSmart PC from the power source before removing the rear or vertical cover of the HP TouchSmart PC. Failure to do so before you open the HP TouchSmart PC or do any procedures can result in personal injury or equipment damage.

---

## Before opening the HP TouchSmart PC

To avoid injury and equipment damage, always follow this procedure in this order before opening the HP TouchSmart PC.

- 1 Remove any media (CD, DVD, memory cards, USB devices, external hard disk drives) from the HP TouchSmart PC.
- 2 Click the **Windows Start Button**, and then click **Shut Down**.



**CAUTION:** To reduce the risk of personal injury from electrical shock or hot surfaces, disconnect the power cord from the wall outlet, and allow the internal system components to cool before touching.

---

- 3 Disconnect the power cord from the electrical outlet and then from the HP TouchSmart PC.
- 4 Disconnect all other attached cables from the rear of the HP TouchSmart PC.
- 5 Disconnect all external devices.



**CAUTION:** Static electricity can damage the electronic components of the HP TouchSmart PC or optional equipment. Ensure that you are discharged of static electricity by briefly touching a grounded metal object.

---

## After closing the HP TouchSmart PC

To avoid injury and equipment damage, always follow this procedure in this order after closing the HP TouchSmart PC.

- 1 Reconnect the power cord.



**WARNING:** To reduce the risk of electrical shock, fire, or damage to the equipment, do not plug telecommunications or telephone connectors into the network interface card (NIC) (labeled as LAN).

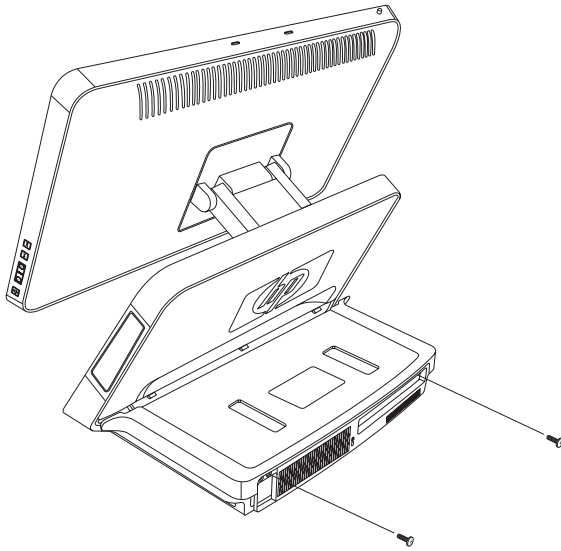
---

- 2 Reconnect all other cables.
- 3 Reconnect external devices.
- 4 Turn on the HP TouchSmart PC and all peripherals such as the monitor.

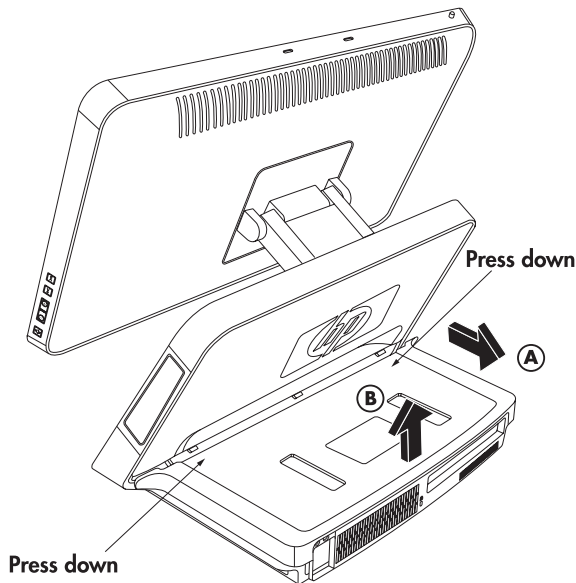
## Removing the rear cover

This procedure is necessary when removing and upgrading memory.

- 1 See "Opening and Closing the HP TouchSmart PC" on page 45.
- 2 Remove the two screws that secure the rear cover to the HP TouchSmart PC chassis. Keep the screws for later.



- 3 Pull the rear cover back about 1/2 in (1.27 cm) **(A)**. If necessary, gently push down on the cover while pulling back.



- 4 Lift the rear cover and remove from the chassis **(B)**.



**WARNING: Beware of sharp edges inside the chassis.**

## Replacing the rear cover

- 1 Place the rear cover in the proper position on the chassis and about 1/2 in (1.27 cm) back from the vertical cover.
- 2 Slide the rear cover toward the front of the chassis until the rear of the cover is flush with the rear I/O area of the chassis.
- 3 Ensure that the holes for the screws align with the holes in the chassis, and then replace the two screws.

## Removing the vertical cover

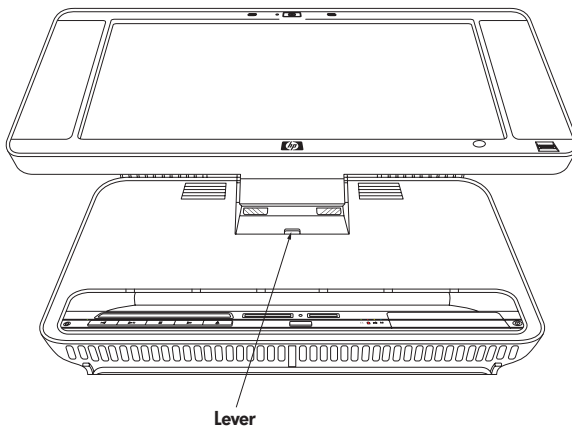
This procedure is necessary when removing or replacing the hard disk drive.

- 1 See "Opening and Closing the HP TouchSmart PC" on page 45.

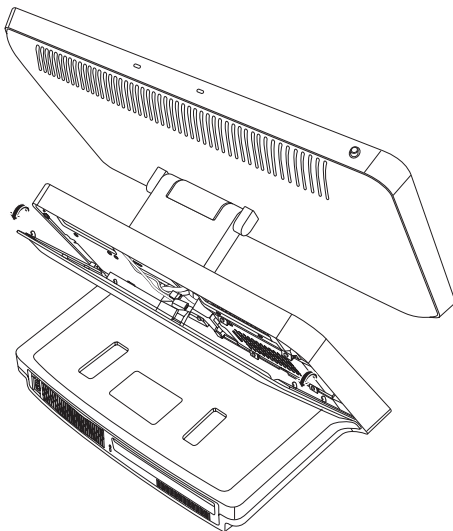


**CAUTION: To reduce the risk of personal injury from electrical shock or hot surfaces, disconnect the power cord from the wall outlet, and allow the internal system components to cool before touching.**

- 2 If necessary, raise the display (monitor) until the pocket behind the monitor is accessible.
- 3 While holding the back of the vertical cover, push and hold down the lever on the front of the vertical cover. This lever is located in a pocket behind the display (monitor) portion of the HP TouchSmart PC.



- 4 While holding down the lever, pull the vertical cover up and remove from the chassis.



## Replacing the vertical cover

- 1 Align and insert the hooks on the vertical cover into the holes on the back of the chassis.
- 2 Reach behind the display, and hold down the lever on the vertical cover while sliding the vertical cover down and into place on the back of the vertical chassis.

## Adding Memory

Your HP TouchSmart PC comes with random access memory (RAM), which temporarily stores data and instructions on your HP TouchSmart PC. The HP TouchSmart PC ships with two memory modules, but you can replace the existing memory modules with higher-capacity ones.

The motherboard contains sockets for SO-DIMMs (small outline dual in-line memory modules).

To determine which type and speed of memory module your HP TouchSmart PC uses, and for specific memory module information and specifications, go the Web site listed in your *Limited Warranty and Support Guide*, and click the **Support** link.

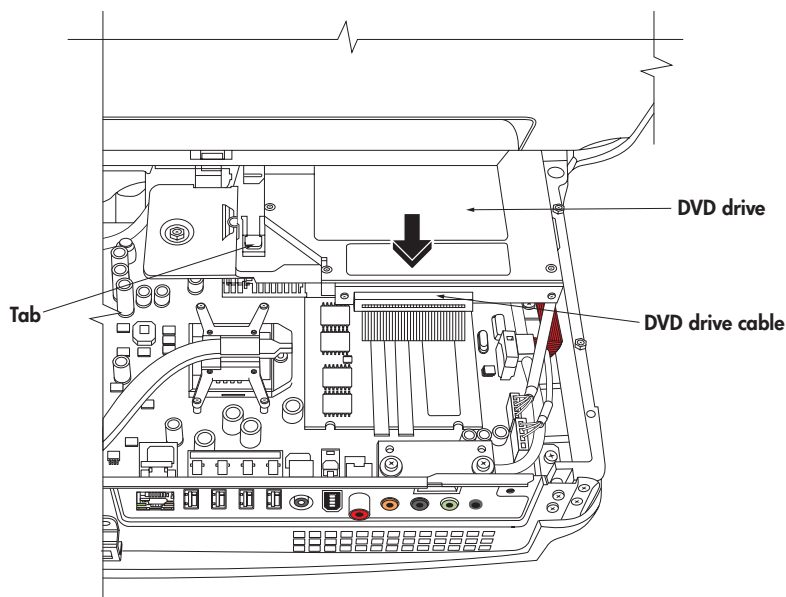


**WARNING: Using the wrong type of memory module could damage the system.**

---

## Removing a memory module

- 1 Complete the procedures to prepare the HP TouchSmart PC and to remove the rear cover. See "Opening and Closing the HP TouchSmart PC" on page 45.
- 2 Remove the cable from the DVD drive.



- 3 Lift the tab at the left side of the DVD drive and slide the drive straight back.
- 4 Move the DVD drive cable away from the memory module beneath it.



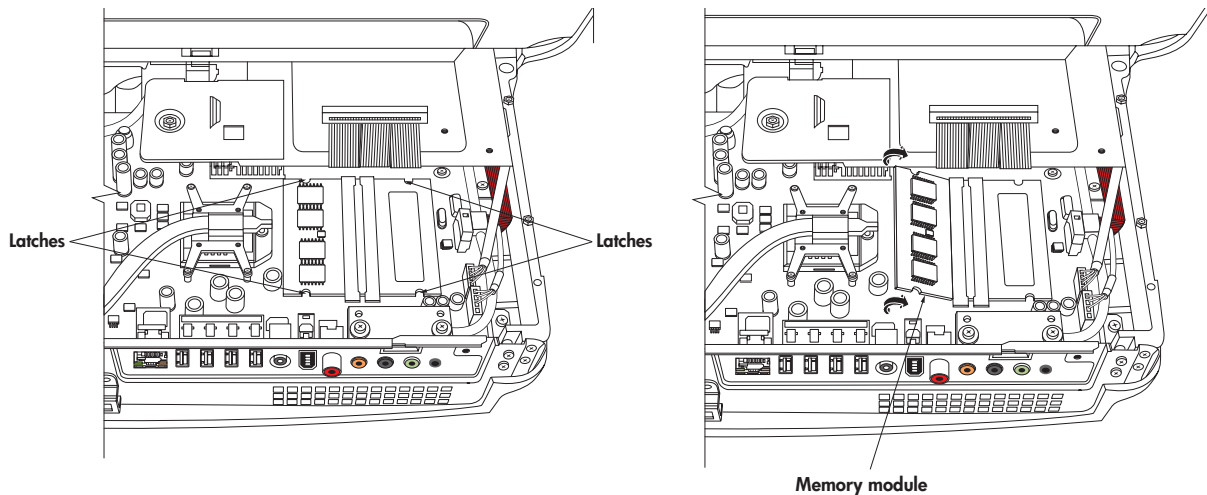
**CAUTION: When handling a memory module, be careful not to touch any of the contacts. Doing so may damage the module.**

---



**WARNING:** Do not pull the memory module out of the socket. Use the latches of the retaining clips to remove the module.

- 5 Push the two latches of the retaining clips away from the memory module. The memory module pops up at an angle.



- 6 Lift the memory module from the memory socket. Note the location of the key slot on the connector edge.

## Installing a memory module

Upgrade the memory in your HP TouchSmart PC with memory of the same type and speed as the memory originally installed in your HP TouchSmart PC. The two memory modules must be identical in type, speed, and capacity.



**CAUTION:** When handling a memory module, be careful not to touch any of the contacts. Doing so may damage the module.

- 1 With the DVD cable moved out of the way, align the memory module with the socket, so the key slot on the connector edge is same as the module removed.

**NOTE:** The sockets are keyed. If the module slot does not match the socket, turn the memory module over.

- 2 Slide the memory module into the socket at the same angle it was removed.
- 3 Push the outer edge of the memory module down until the retaining clip latches catch.
- 4 Move the DVD cable out of the way and insert the DVD drive. Slide the drive in until the tab catches.
- 5 Reconnect the DVD drive cable.
- 6 Complete the procedures to replace the rear cover, and close the HP TouchSmart PC. See "Opening and Closing the HP TouchSmart PC" on page 45.

**NOTE:** If a blank screen is displayed after replacing or adding a memory module, the memory is installed incorrectly or it is the wrong type of memory. Remove and reinstall the memory module.

# Removing and Replacing the Hard Disk Drive

You can replace or upgrade the hard disk drive.

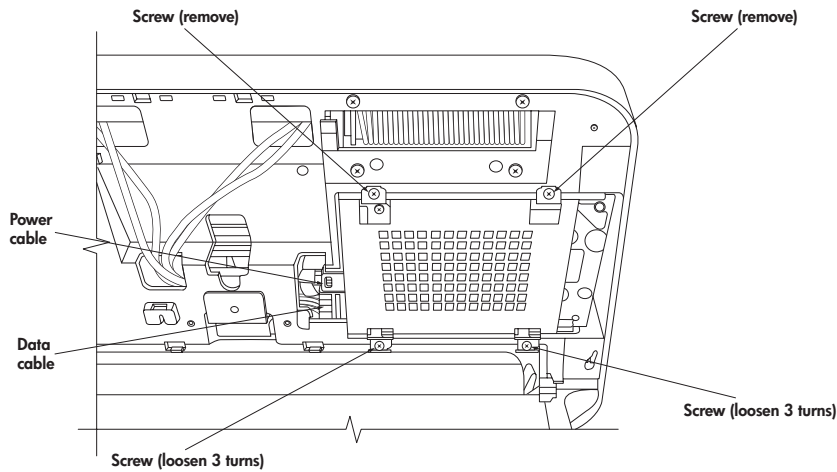
The hard disk drive is a Serial ATA (advanced technology attachment) drive, which uses a narrow data cable.



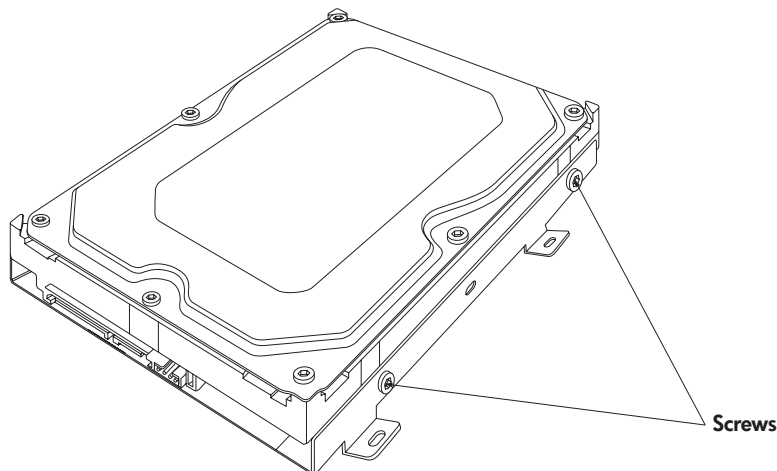
**CAUTION:** Back up your personal files on the hard disk drive to an external storage device, such as a CD, before removing the hard disk drive. Failure to do so may result in data loss. After replacing the hard disk drive, you need to run System Recovery using recovery discs to load the factory-installed files. See the user documentation that came with your HP TouchSmart PC for details about the recovery procedure.

## Removing the hard disk drive

- 1 Complete the procedures to prepare the HP TouchSmart PC to remove the vertical cover. See “Opening and Closing the HP TouchSmart PC” on page 45.
- 2 Loosen the two bottom screws on the hard disk drive cage three turns.

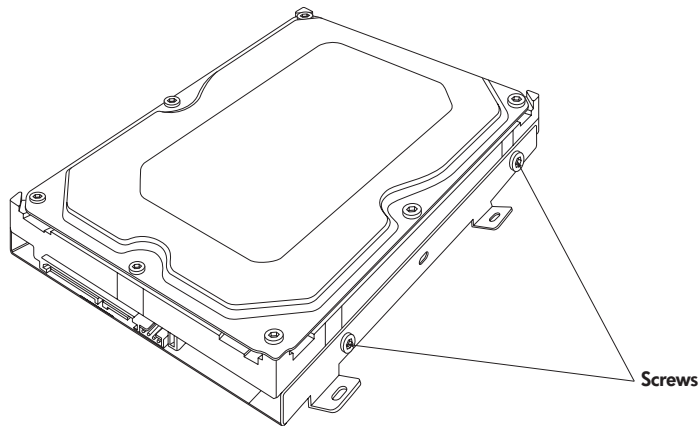


- 3 Remove the two top screws from the hard disk drive cage.
- 4 Lift the cage up off the two bottom screws and out of the chassis.
- 5 Disconnect the power and data cables from the back of the drive. Squeeze the latch on the SATA connector to remove the data cable.
- 6 Remove the four screws from the cage, and lift the sides of the hard disk drive from the cage.

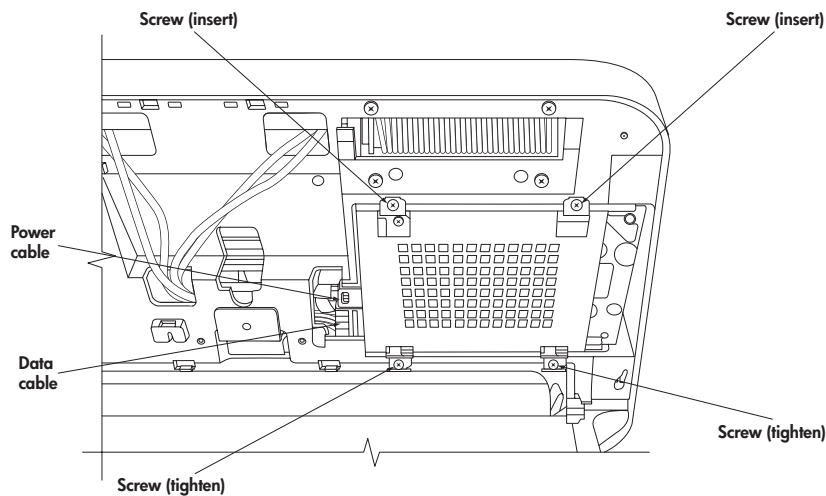


## Replacing the hard disk drive

- 1 Complete the procedures to remove the hard disk drive, if necessary. See “Removing the hard disk drive” on page 51.
- 2 Place the hard disk drive into the cage and insert the four screws.



- 3 Connect the power and data cables to the hard disk drive.
- 4 Place the hard disk drive cage over the two bottom screws and into the chassis.



- 5 Insert the two top screws and tighten the two bottom screws.
- 6 Complete the procedures to replace the vertical cover and close the HP TouchSmart PC. See “Opening and Closing the HP TouchSmart PC” on page 45.



# Locating Information About Your Computer

This section is an index to information about your computer. The information is located in this guide and other guides that have been included with your computer.

- **HP TouchSmart PC User Guide** (this guide), a printed guide with specific information about the HP TouchSmart PC product. References are listed as **black page numbers UG-#**.
- **Getting Started** guide, included on your computer is an onscreen guide, provides information about using your HP computer, the Microsoft Windows Vista operating system, the Windows Media Center, and some of the hardware and the software programs included with the computer. References are coded as **green page numbers: GS-#**.
- **Limited Warranty and Support guide**, a printed guide, provides information about your computer warranty and how to obtain support. References are listed as **blue page numbers: WS-#**.
- **Troubleshooting and Maintenance Guide**, a printed guide, provides information about tasks you can perform to ensure the trouble-free operation of your computer and to ease the recovery of important information on your computer should problems arise in the future. It also contains a series of tables that describe solutions you can try to resolve problems that may occur when you install and use your computer. References are listed as **red page numbers: TM-#**.

## How to locate information

Locate information by looking in the entries under the main task or subject.

For example, to locate a figure showing where the DVD slot is on the computer, look under *D* for the term *DVD*, then look for a listing from the User Guide such as *drive slot*, **UG-3**.

## Viewing the *Getting Started* guide, or more information

The *Getting Started* guide is an onscreen guide.


Onscreen guides are available in the User Guides folder on your computer.

- 1 Click the **Windows Start Button** on the taskbar.
- 2 Click **All Programs**.
- 3 Click **User Guides**.
- 4 Click the guide name, such as **Getting Started**, to view the guide.



## Finding more information on the Web

You can find copies of your guides and information for your computer by using the Internet to access the Support Web site.

- 1 Go to **http://www.hp.com/support** in your Web browser.
- 2 Select your country/region and language.
- 3 Click **Support and Drivers**.
- 4 Click **See support and troubleshooting information**, enter the model number of your computer, and then click **Search** .
- 5 Click **Manuals**.
- 6 Locate the manual you want, and then do one of the following:
  - Click the title to display the file in Adobe Acrobat Reader (which you can download from the Manuals page if it is not currently installed on your computer).
  - Right-click the title, click **Save Target As**, specify a location on your computer where you want to save the file, rename the file (retaining the .pdf extension), and then click **Save**.

---

**NOTE:** Only *Getting Started* guide references are included in the index at this time.

---

## A

- activity lights UG- 2
- adding
  - CD tracks to the music library GS- 92
  - music files to the music library
    - from the hard disk drive GS- 91
- antivirus, installing program GS- 16
- Audio Troubleshooting, TM- 8
- autoscroll GS- 28

## B

- batteries UG- 16
  - installing in remote control 35
  - keyboard and mouse UG- 11
  - remote control UG- 16
  - type for remote control GS-35
- bay
  - HP Pocket Media Drive UG- 6
- Bluetooth devices UG- 17
- burning
  - audio and data disc GS-120–GS-125
  - CDs, DVDs GS-119–GS-123
- button
  - computer on/standby UG- 2
  - HP SmartCenter UG- 2
- buttons
  - channel, volume, and mute UG- 3
  - DVD control UG- 2
  - media control or playback GS-24
  - Off, See turning off PC GS-10
  - remote control GS-32
- buttons, keyboard
  - customizing GS-25

## C

- calendar
  - using HP SmartCalendar UG- 29
  - viewing UG- 30
- camera
  - using built-in Web camera UG- 24
  - Web camera with indicator UG- 1
- card reader, memory GS-61
- carpal tunnel syndrome GS-5
- CD and DVD Drive Troubleshooting, TM- 9–10
- CDs
  - creating a music CD in Music GS-101, GS-102
  - erasing rewritable GS-120
  - playing in Music GS-96, GS-98
- change the speed of the cursor GS-29
- channel buttons UG- 3

- cleaning UG- 23
- computer
  - connecting the IR emitter UG- 14
  - turning on UG- 8
- Computer Playback GS-149
- connecting
  - FM antenna UG- 13
  - headphones UG- 2
  - printer UG- 15
  - remote IR emitter cable UG- 14
  - to the Internet UG- 18
  - TV signal UG- 13
- connectors UG- 5
  - audio/video UG- 3
- country/region codes GS-111
- cursor speed GS-29
- customizing keyboard buttons GS-25

## D

- Declaration of Conformity, WS- 9
- desktop
  - switching from Media Center GS-80
- digital camera, using HP Photosmart Touch UG- 34
- digital images GS-129
  - working with UG- 34
- digital picture GS-61, GS-129
- digital video
  - camera capture GS-142
  - using HP Photosmart Touch UG- 34
- discs
  - drive compatibility GS-57
  - erasing rewritable GS-120
  - features and compatibility GS-58
- Disk Cleanup, TM- 2
- Disk Defragmenter, TM- 3
- Display (monitor) Troubleshooting, TM- 11
- dock
  - printer UG- 5
- documentation, onscreen GS-1
- Drivers, update, TM- 22
- DV camera capture GS-142
- DVD
  - drive slot UG- 2
  - indicator light UG- 2
- DVD movies
  - changing
    - audio settings GS-116
    - language GS-113
  - playing
    - in Media Center GS-112
- DVD Play, features GS-46

## E

- End-User License Agreement, WS- 6–8
- erasing rewritable discs GS-120
- error messages
  - Channel information is currently not available GS-159
  - common recording errors GS-173
  - Download Incomplete GS-159
  - Image cannot be displayed GS-133
  - Low Disk Space GS-168, GS-170
  - No data available GS-159
  - Search is unavailable because there is no guide information GS-159
  - The current lineup and/or location selected for the guide is not supported GS-159
  - The guide information is either missing or corrupt GS-159
- errors
  - reducing recording speed GS-121
- Ethernet UG- 18
- event
  - deleting an event from HP SmartCalendar UG- 32
  - scheduling in HP SmartCalendar UG- 30

## F

- file type
  - music GS-93, GS-140
  - picture GS-133, GS-139
  - video GS-137, GS-139
- FireWire (IEEE 1394) GS-142, GS-143
- FM Radio GS-104
  - FM Antenna In GS-106
  - FM Tuner In GS-104
  - Preset Radio Stations GS-106, GS-107, GS-108
  - Radio Online GS-109
  - radio tuner input GS-104
  - TV Signal GS-105
- FM radio, see radio

## G

- games
  - finding UG- 25
- Guide, see Television Program Guide

## H

- Hard Disk Drive Troubleshooting, TM- 12
- Hard Disk Drive upgrade UG- 51
- Hardware Installation Troubleshooting, TM- 12–13
- Hardware Limited Warranty, WS- 2–6
- headphones UG- 2
- Help and Support GS-2
- HP Advisor
  - access PC updates, security information UG- 42
  - accessing UG- 25
  - features UG- 42

- HP Media Drive
  - inserting a drive GS-68
- HP Personal Media Drive GS-67
  - activity and power lights GS-68
  - automatic on and off feature GS-68
  - disconnecting the drive GS-72
  - location and drive letter GS-70
- HP Photosmart Essential GS-46
- HP Photosmart Touch
  - creating your picture library UG- 35
  - opening UG- 34
  - using UG- 25, 34, 35
- HP Pocket Media Drive GS-67
  - bay UG- 6
  - using UG- 6
- HP printer Y-cable UG- 5
- HP SmartCalendar
  - adding user accounts UG- 32
  - creating voice notes UG- 33
  - deleting an event UG- 32
  - using UG- 25, 29
- HP SmartCenter
  - accessing the two-day weather forecast UG- 27
  - adding or removing Web site shortcut UG- 39
  - changing location of shortcuts UG- 39
  - changing time setting UG- 28
  - customizing UG- 38
  - getting help UG- 25
  - opening UG- 26, 29, 41
  - scheduling an event UG- 30
  - what is, using UG- 24
- HP SmartCenter button UG- 2
  - using to open HP SmartCenter UG- 26
- HP Total Care Advisor GS-17
- HP TouchSmart PC screen
  - cleaning UG- 23

## I

- indicators
  - activity lights UG- 2
- Internet
  - access UG- 25
  - connecting UG- 18
- Internet Access Troubleshooting, TM- 14–15
- Internet security GS-7, GS-8, GS-103
- IR emitter
  - connecting UG- 14

## K

Kensington lock slot UG- 5

keyboard

customizing buttons GS-25

keys UG- 9

replace batteries UG- 11

setting up UG- 8

shortcuts GS-25

special buttons UG- 9

types of buttons GS-19

UK keyboard differences UG- 9

using UG- 9, GS-19

Keyboard and Mouse Troubleshooting, TM- 16–17

## L

LAN UG- 17, 18

local area network (LAN) UG- 17

lock

Kensington UG- 5

## M

magicSpot GS-145

manual sync, keyboard and mouse UG- 12

Media Center

menu bars GS-80

navigating GS-80

opening with remote control GS-34

playing DVDs GS-112

resizing window GS-80

using with another program open GS-80

what you can do

in Music GS-89

in Radio GS-104

media control buttons UG- 2

memory card, formatting GS-65

memory card reader UG- 34, GS- 129

card types UG- 2, GS-61

in-use light GS-65

troubleshooting GS-66

using GS-61

memory, upgrade UG- 49

microphone

using UG- 24

microphone array UG- 1

mouse

autoscroll GS-28

cursor speed GS-29

panning GS-28

replace batteries UG- 11

setting up UG- 8

storing UG- 1

switching button functions GS-29

using UG- 11

Music GS-89

browse, listen UG- 25

copying music to CD GS-101, GS-102

creating a queue list GS-97

deleting music from the Music library GS-93

finding and playing an album GS-98

playing a song GS-96

playing an album GS-96, GS-98

playing music GS-94

playing with Windows Media Player

GS-111, GS-116

supported file types GS-93

music library

adding CD tracks GS-92

creating GS-91

mute button UG- 3, GS-24

muvee autoProducer

adding a title and credits GS-141

adding music GS-141

adding pictures GS-141, GS-144

adding video GS-141, GS-143

allowing music to repeat GS-146

allowing video and pictures to repeat GS-146

basic steps to create a movie GS-139

changing settings GS-146

copying a movie to disc GS-150

features GS-47

getting started GS-141

getting video from a camera GS-141

making a movie GS-147

previewing a movie GS-148

rotating images clockwise GS-145

selecting style GS-145

setting the duration of video GS-146

upgrading GS-151

using the magicMoments feature GS-144

## N

network

wireless UG- 2

Norton Internet Security

configuring GS-44

registering GS-44

note

deleting notes in HP SmartCalendar UG- 33

editing in HP SmartCalendar UG- 33

moving notes to calendar UG- 33

## O

Off button, See turning off PC GS-10

On/Standby button UG- 2

Operating Specifications, WS- 10

optical drive quick reference GS-59

optimizing for touch or mouse UG- 21

Optimization setting GS-76, GS-87

## P

- panning with the mouse GS-28
- passwords
  - creating GS-15
- PC
  - connecting the IR emitter UG- 14
  - Help & Tools GS-2
  - turning off GS-10
- Performance Troubleshooting, TM- 18–19
- photos
  - transferring to PC UG- 34
- photo slot UG- 2
- pictures GS-129
  - copying pictures to CD GS-136
  - editing GS-133
  - editing in HP Photosmart Touch UG- 36
  - image not displayed GS-133
  - printing UG- 37, GS-133
  - rotating GS-135
  - selecting in HP Photosmart Touch UG- 36
  - types of files it can display GS-133
  - viewing a slide show with music GS-132
- Pictures and Videos GS-129
- pictures, turning captions on or off GS-131
- pictures, viewing GS-131
- pictures, viewing pictures as a slide show GS-132
- playing
  - digital music files GS-94
  - digital videos GS-137
  - DVDs in Media Center GS-112
  - music CDs in Media Center GS-94
  - songs in Music GS-96
- playing music CDs GS-110, GS-117
- playing songs
  - Buy Music option GS-98
  - Visualize option GS-98
- playlist
  - creating in Music GS-100
- pointer device
  - using the stylus UG- 23
- power
  - surge protection UG- 7
- power cord
  - connecting UG- 7
- Power Troubleshooting, TM- 17–18
- printer
  - connecting UG- 15
- printer dock UG- 5
- Program Guide, see Television Program Guide

## Q

- queue list
  - creating in Music GS-97

## R

- radio
  - connecting antenna to PC GS-104
  - getting reception GS-104
  - organizing radio station presets GS-107
- Radio window GS-104
  - organizing pre-set radio stations GS-107
  - playing FM stations GS-104
  - playing radio in Media Center GS-104
  - recording radio programs GS-107
- RAM, see Memory UG- 49
- RealPlayer, features GS-46
- Recommended Maintenance Schedule, TM- 5–6
- recorded TV GS-172
- recording
  - options GS-165
  - radio programs GS-107
  - TV programs GS-164
    - how to stop recording GS-164
- recording TV
  - standby mode GS-82
- recording TV programs
  - manually GS-166
  - single program or series, canceling GS-164
  - when two are scheduled for the same time GS-165
- recording TV shows
  - making sure a program is being recorded GS-164
  - using the guide GS-165
- Recovery Discs, Creating, TM- 25–26
- Regulatory and Safety Information, WS- 10–13
- remote control
  - buttons GS-32
  - On/Standby (sleep) button UG- 16
  - range GS-34
  - type of battery to use GS-35
  - sensor UG- 16
  - sensor window UG- 1
  - using GS-34
  - using with HP SmartCenter UG- 26
  - using in TV + Movies GS-156
- remote control UG- 1, 16
- remote sensor GS-35
  - using GS-34
- repetitive strain injury (RSI),
  - see *Safety & Comfort Guide* GS-5
- Return to HP SmartCenter button
  - using UG- 26
- rewritable discs, erasing GS-120
- router installation UG- 18
- Roxio Creator
  - erasing discs GS-120

## S

- Safety & Comfort Guide GS-5
- safety warnings GS-5
- screen UG- 1
- scrolling with the mouse GS-28
- search
  - pictures in HP Photosmart Touch UG- 36
- searching for programs GS-163
- setting up
  - keyboard and mouse UG- 8
- settings
  - for sound GS-86
  - general GS-86
  - Internet connections GS-86
  - remote control and remote sensor GS-35
- set-top box
  - IR emitter cable for UG- 14
- Shared Video folder GS-136
- shortcuts
  - keyboard GS-25
- shutting down PC GS-10
- sleep mode button GS-22
- slide show
  - displaying information about pictures GS-132
  - viewing pictures GS-132
  - viewing with music GS-132
- Software and Driver Reinstallation, TM- 24
- software programs
  - DVDPlay GS-46
  - Windows Movie Maker GS-48
- sorting TV programs
  - by category GS-172
  - by date GS-172
  - by name GS-172
- speakers UG- 1
- Start menu
  - Media Center GS-78
- stylus UG- 1
  - using UG- 23
- Support
  - messages GS-2
- Support Information, WS- 14–15
- Support Phone Numbers, WS- 14
- surge protection UG- 7
- SVCD GS-150
- switching mouse button functions GS-29
- sync
  - keyboard and mouse, manually UG- 12
- System Recovery, TM- 25–29
- System Restore, TM- 23

## T

- Tablet PC
  - using to enter text with the touch screen UG- 43
- Television Program Guide
  - no data available GS-159
  - recording TV programs GS-165
  - searching for TV programs GS-163
  - setting up a download method GS-160
  - using the More information button GS-159
  - viewing GS-159
- touch screen UG- 21, 23
  - creating notes in HP TouchSmart Calendar UG- 32
  - selecting UG- 21
  - using Tablet PC software UG- 43
  - using Windows Journal UG- 43
- touch screen UG- 1
- troubleshooting
  - remote sensor GS-35
- turning off PC GS-10
- turning on the computer UG- 8
- TV
  - adding missing channels to the guide GS-162
  - advanced recording options GS-165
  - editing channels in the guide GS-162
  - input connectors UG- 4
  - manually downloading the guide GS-160, GS-161
  - playback, time shifting GS-156
  - playing recorded TV programs GS-172, GS-173
  - recording icons GS-164
  - recording TV from the guide GS-165
  - recording TV manually GS-166
  - recording TV programs GS-164
  - removing channels from the guide GS-162
  - searching for TV programs GS-163
  - searching for TV programs by category GS-164
  - sorting programs GS-172
  - Television Program Guide errors GS-159
  - time shifting GS-156
  - using digital video recorder while watching GS-156
  - using the remote control GS-156
  - watching GS-154
  - watching TV programs GS-155
- TV + Movies GS-153
- tweak muvee GS-148

## U

- update, Windows Vista GS-14
- updates from Compaq Connections, using GS-2
- updates from HP Connections, using GS-2
- updating, system GS-14
- upgrade UG- 45
- user accounts
  - adding in HP SmartCalendar UG- 32
  - creating GS-15

## V

- VCD GS-150
  - playing with Windows Media Player GS-117
- video capture
  - live GS-142
  - recorded video GS-142
- video chat
  - setting up UG- 24
- video editing
  - getting started with muvee autoProducer GS-141
- video movies
  - transferring GS-138
  - transferring and recording GS-138
- Video Troubleshooting, TM- 11
- videos GS-136
  - creating a CD or DVD GS-138
  - playing GS-136
  - playing digital videos GS-137
  - transferring videos GS-138
- visualization settings GS-95
- voice messages
  - creating UG- 33
- volume
  - controls GS-24
- volume buttons UG- 3

## W

- weather
  - changing location of the two-day forecast UG- 27
  - checking local weather in HP SmartCenter UG- 27
- weather forecast
  - accessing UG- 25
- Web camera
  - using UG- 24

- Web camera and indicator UG- 1
- Web Streaming GS-149
- Windows Journal
  - using UG- 43
- Windows Media Center
  - opening UG- 25
  - play videos GS-136
  - playing videos GS-136
  - using the touch screen to access UG- 41
  - viewing your pictures GS-131
  - watch live TV UG- 25
  - what you can do
    - in TV + Movies GS-153
- Windows Media Player
  - play DVDs GS-116
  - play music CDs GS-111
  - playing video CDs GS-117
  - setting as default player GS-93
  - types of files GS-93
- Windows Movie Maker, features GS-48
- Windows Vista update GS-14
- wired network UG- 18
- wireless network UG- 2, UG- 19
- working in comfort GS-5

## Y

- Y-cable, HP printer UG- 5, UG- 15

Part number: 5991-7301