

# EPSON

***NB: Part Number rationalisation – 10 digit part numbers in brackets are the old numbers for otherwise identical items***

## FX-890

***Page No.:1***

REF	PART NO	DESCRIPTION	SPEC	QTY
100	1261490	HOUSING ASSY.,LOWER		1
101	1004605	FOOT		2
102	1261492	HOUSING ASSY.,UPPER		1
103	1261495	COVER ASSY .,PRINTER,REAR		1
104	1261494	COVER ASSY .,PRINTER		1
105	1235796	RING;		1
106	1261496	SHEET GUIDE ASSY		1
107	1261493	COVER ASSY .,FRONT		1
108	1234171	KNOB		1
109	1233915	SHIELD,PLATE,UPPER		1
110	1233914	SHIELD PLATE;B		1
111	1233912	SHIELD PLATE		1
112	1233916	GROUNDING PLATE		3
115	1236524	COVER,CONNECTOR,UPPER;		1
116	1233917	MOUNTING,HOUSING		1
117	1064686	GUIDE,I/F BOARD		1
120	1242638	LOGO PLATE,12X48;C		1
121	1242257	SHEET,RELEASE,CAP		1
122	1236041	STOPPER,COVER,FRONT		1
125	2081380	FAN ASSY.		1
127	1073171	C.B.S. SCREW(B300204311)	M3X8	1
132	1233911	GROUNDING PLATE,I/F		1
133	1064693	GROUNDING PLATE,I/F,UPPER		1
137	1037280	GROUNDING PLATE,BOTTOM		1
138	1234169	HOLDER,CABLE		1
141	1236544	SHEET,PANEL		1
150	2018967	DETECTOR ASSY.,CASE OPEN		1
151	1026338	HOLDER,DETECTOR		1
180	1003164	C.B.P-TITE SCREW,3X12,F/ZN		1
181	1073165	C.B.S. SCREW(B300204211)	M3X6	1
182	1005019	C.B.P-TITE SCREW,3X8,F/ZN	M3X8 F/ZN	1
183	1048331	C.B.S-TITE,3X20,F/ZN		1
184	1073171	C.B.S. SCREW(B300204311)	M3X8	1
185	1004527	C.P.SCREW(B010109511)	M3X4	1
200	2080658	BOARD ASSY., MAIN	5926A,C524 STANDARD	1
300	2080699	BOARD ASSY., POWER SUPPLY	5928A,C524 STANDARD	1
350	2081158	HARNESS AC INLET	AC INLET (PSB)	1
372	2081151	HARNESS	FFC HARNESS	1
450	1262597	HOUSING ASSY.,PANEL		1
500	2084352	PRINTER MECHANISM(ASP)M-3Q10-100		1
501	1232303	FRAME ASSY.,RIGHT		1
502	1232302	FRAME ASSY.,LEFT		1
503	2035035	MOTOR ASSY.,CARRIAGE		1
504	1234467	RIBBON DRIVE ASSY.		1
511	2056298	MOTOR,PAPER FEED		1
522	2004004	DETECTOR,HOME POSITION		1
523	2025264	HARNESS,HP		1
524	2014328	CONNECTOR SWITCH;B		1
525	1254858	PAPER GUIDE ASSY.,REAR		1
526	1005157	SHAFT,RELEASE		1
527	2025262	HARNESS,PE,FRONT		1

# EPSON

***NB: Part Number rationalisation – 10 digit part numbers in brackets are the old numbers for otherwise identical items***

## FX-890

*Page No.:2*

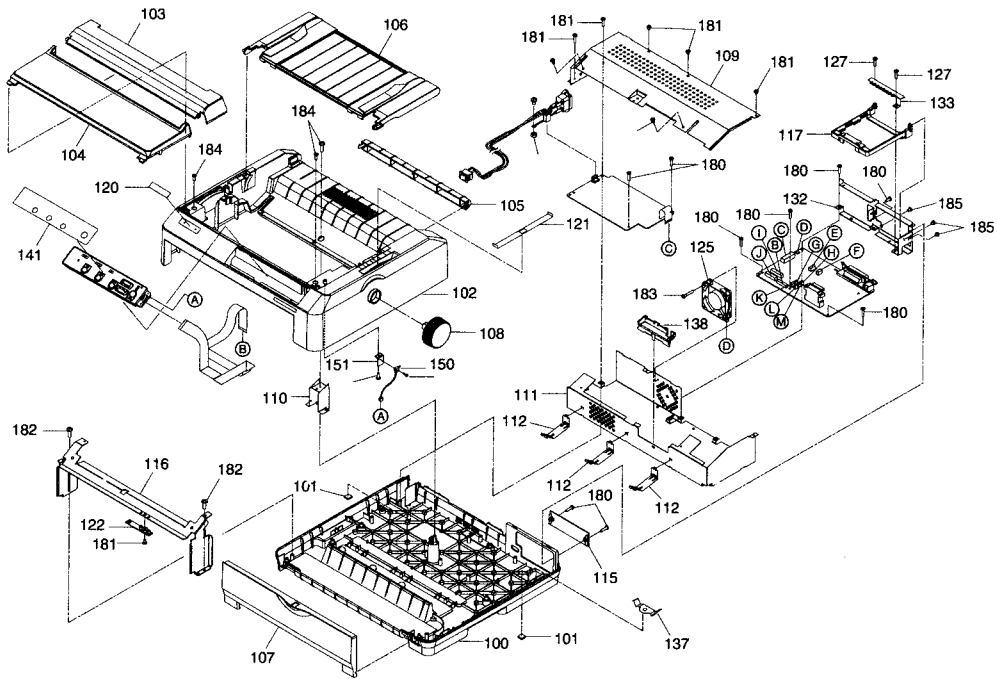
REF	PART NO	DESCRIPTION	SPEC	QTY
528	2025263	HARNESS,PE,REAR		1
529	2025897	HARNESS,RE		1
530	2071496	DETECTOR,PE,FRONT,S	..	1
531	1005727	DETECTOR ASSY., REAR		1
532	1005213	ROLLER,PF,DRIVEN,LOWER		1
533	1005282	ROLLER ASSY.,PF		1
534	1005215	EXTENSION SPRING,70		1
535	1005214	COMPRESSION SPRING,1000		1
536	1232304	CARRIAGE SUB ASSY.		1
537	1008704	SLIDER,CR		1
541	1254859	TRACTOR ASSY.		1
542	1251317	TRACTOR,LEFT;EDGB		1
543	1251318	TRACTOR,RIGHT;EDGB		1
544	1036500	SHAFT,TRACTOR DRIVE		1
545	1083356	SHAFT,TRACTOR GUIDE		1
546	1251312	FRAME,TRACTOR LEFT;		1
547	1251313	FRAME,TRACTOR RIGHT;		1
548	1251314	LEVER,TRACTOR LEFT;		1
549	1251315	LEVER,TRACTOR RIGHT;		1
550	1025296	PAPER SUPPORT		1
551	1039507	SPUR GEAR,20		1
552	1074768	RETAINING RING(B150300911)	TYPE-E(6)	1
556	1050218	COVER, PAPER EJECT		1
557	1251310	EPAG		1
560	1005243	LEAF SPRING,PAPER EJECT,DOUBLE		1
561	1235581	SPUR GEAR,15		1
562	1004929	SPUR GEAR,11.5		1
563	1005514	LEAF SPRING,PAPER EJECT,SINGLE		1
564	1050984	ROLLER,PAPER EJECT,DRIVE		1
568	1005176	HOLDER,CABLE,HEAD		1
569	1036530	ROLLER ASSY,DRIVE		1
570	1234468	PLATEN ASSY.		1
572	1232297	BUSHING,8,RIGHT		1
573	1232301	COVER,PLATEN		1
574	1232296	BUSHING,8,LEFT		1
575	1232295	RIBBON MASK		1
576	1014600	PAPER GUIDE ASSY.,SUPPORT		1
577	1232300	GUIDE,PAPER LOAD		1
578	1232259	FRAME,REAR		1
579	1232260	FRAME,FRONT		1
580	1235586	FRAME,SUB,RIGHT		1
581	1036501	GROUNDING PLATE,MECHA		1
582	1232261	FRAME,BASE		1
583	1232294	BUSHING,PARALLEL,ADJUST		1
584	1232267	LEVER,GAP,ADJUST		1
585	1251316	CAP,LEVER;EDGB		1
587	1005185	MOUNTING PLATE,MOTOR,CR		1
588	1010896	HOLDER,RIBBON MASK		1
589	1073525	OIL PAD(F334005140)		1
590	1251311	LEVER,RELEASE;EDGB		1
591	1028357	CAM,CLUTCH,TRACTOR		1



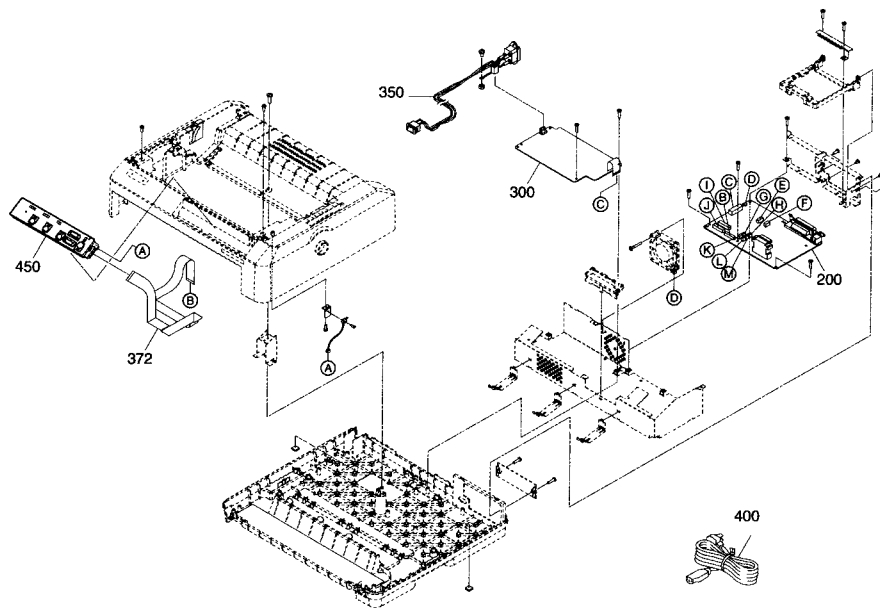
**NB: Part Number rationalisation – 10 digit part numbers in brackets are the old numbers for otherwise identical items**

## FX-890

Page No.:4



FOR FX-890 NO.1



FOR FX-890 NO.2

*NB: Part Number rationalisation – 10 digit part numbers in brackets are the old numbers for otherwise identical items*

## FX-890

*Page No.:5*

