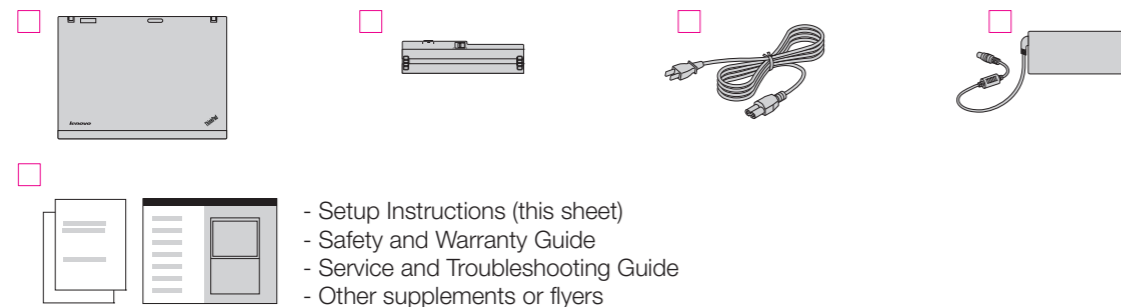




Unpack



- - Setup Instructions (this sheet)
- - Safety and Warranty Guide
- - Service and Troubleshooting Guide
- - Other supplements or flyers

Notes:

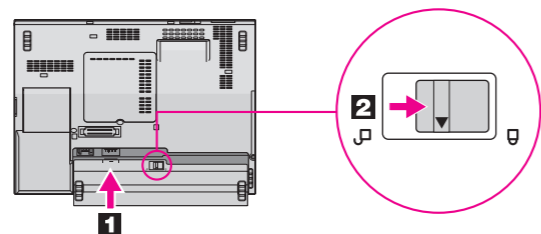
- 1) Some models may contain items that are not listed.
- 2) If any item is missing or damaged, contact your place of purchase.
- 3) Everything for recovering factory-installed files and applications is in the Lenovo® partition on your hard disk.
Important: Before removing the Lenovo partition, be sure to create a recovery disc. For more information, see "Recovery overview" in Access Help.

Initial Setup Instructions

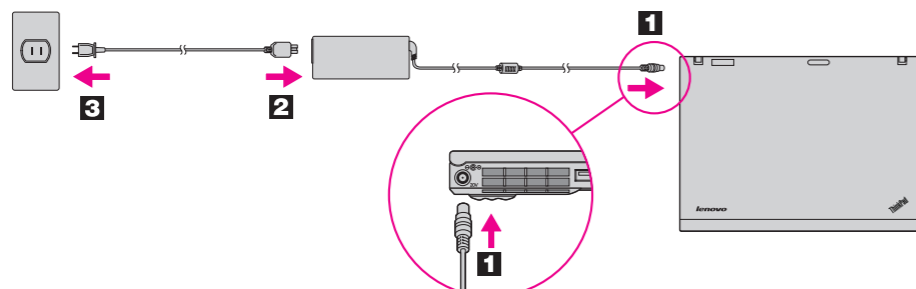


Read the safety notices and important tips in the included manuals before using your computer.

1 Install battery pack:



2 Connect to power:



3 Turn on the power:



4 Point and click with TrackPoint® Navigation System:

Press the TrackPoint cap in the direction you want to move the pointer. The left and right buttons below the space bar function like mouse buttons.

5 Configure the Operating System following on-screen instructions:

This process takes several minutes.

6 For more details, refer to Access Help:

For how to open Access Help, see the reverse side of this page.

ThinkVantage Design

1 UltraConnect™ wireless antennas (main and auxiliary)

2 Integrated camera* *Select models

3 ThinkLight® keyboard light

4 Built-in microphone

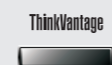
5 Volume and mute buttons



6 Power button



7 ThinkVantage® button



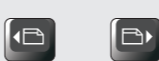
8 Wireless radio switch



9 TrackPoint center button

10 Fingerprint reader *Select models

11 Web browser back and forward

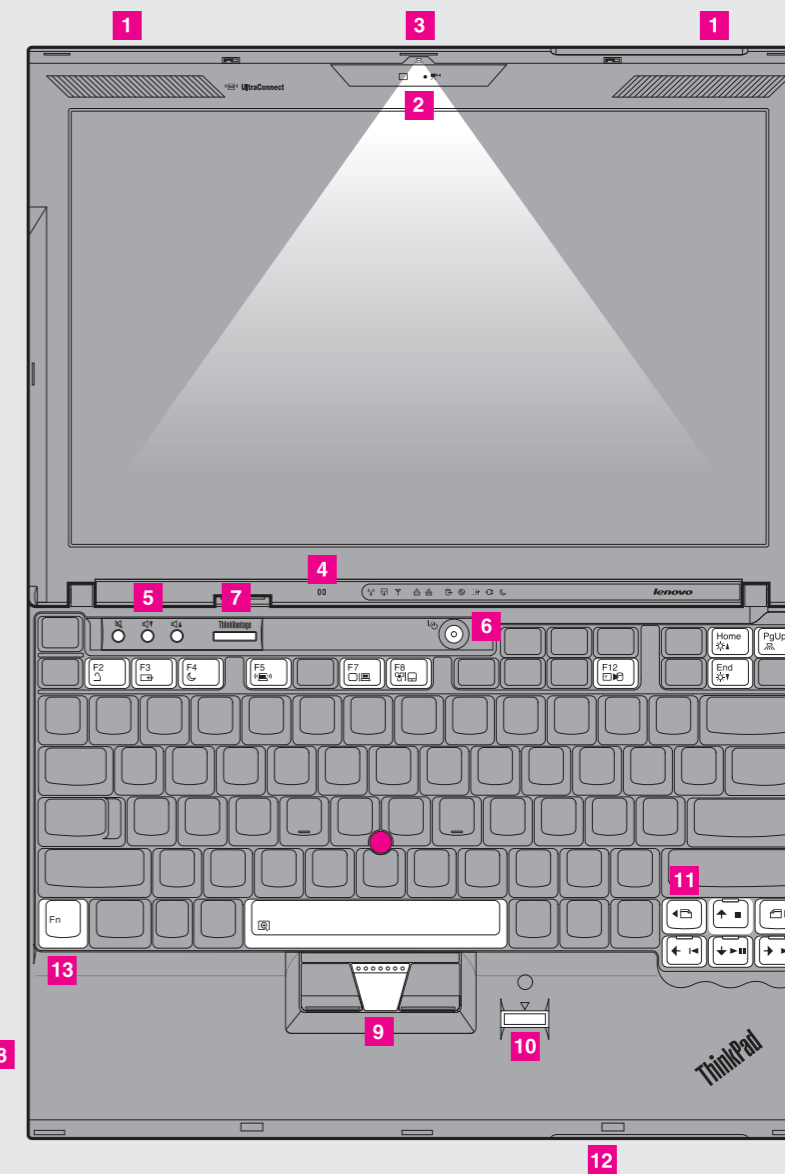


12 One-handed latch

13 Fn key

Use in combination with other keys to access special ThinkPad® features.

	Lock your computer		Enter hibernation
	Manage battery & power		ThinkLight on/off
+	Enter sleep (standby)	+	Multimedia controls
+	Manage wireless connections		Change display brightness
+	Change display settings		Change display brightness
+	Change input device settings		Magnify screen contents



Thank you for choosing a ThinkPad Notebook.

The ThinkPad Notebook raises the standard for ultraportability.



Thin and light ultraportable

Your computer is a powerful 12.1-inch widescreen ultraportable that enables you to work productively wherever you want to be. It is housed in a solid and durable magnesium frame to withstand the everyday rigors of the road warrior.

The UltraBase™ option enhances the portability and expandability of your computer.



Full-size keyboard

Your ultraportable computer features the same excellent full-size keyboard found on larger, mainstream ThinkPad Notebooks, so that typing is easy.



Multimedia features

Your computer includes an integrated camera*, a digital microphone, and a 5-in-1 media card reader or a Secure Digital card slot to maximize your life on the go.

To learn more about hardware features, see About your computer in Access Help.



Power-saving design

The energy-efficient design of your computer enables longer continuous operation on battery power. Energy-saving features such as sophisticated power management give you the best balance between performance and power saving. Your computer meets the Climate Savers efficiency standards and the ENERGY STAR program requirements for computers.

To learn more about extending battery life, see Learn how to achieve all day computing in Access Help.



Diverse connectivity options

Your computer provides you with advanced connectivity options, such as Gigabit Ethernet, Wireless LAN, Wireless USB*, Bluetooth*, WiMAX*, and Wireless WAN*.



To learn more about network connections, see Getting connected in Access Help.

*Select models



ThinkVantage Technologies are advanced technologies that enable you to improve productivity, protect your data, and reduce overall lifecycle costs.

Using Access Help (online manual) and the included manuals

To find detailed information about your computer, open Access Help, or see the Safety and Warranty Guide or the Service and Troubleshooting Guide.



Access Help

Access Help is a comprehensive online manual that provides answers to most of your questions about your computer, helps you to configure preinstalled features and tools, or solve problems.

To open Access Help, do as follows:

For Windows® 7:

Click **Start** and click **Help and Support**. In the Windows Help and Support, click **Lenovo Access Help**.

For Windows Vista® and Windows XP:

- Press the ThinkVantage button. Under Quick Links in the ThinkVantage Productivity Center, click **Access on-system help**.
- Click **Start**, move the pointer to **All Programs**; then to **ThinkVantage**. Click **Access Help**.



Safety and Warranty Guide

- Important safety information
- Operating environment and other important notices
- Warranty information

Service and Troubleshooting Guide

- Introduction to other sources of information
- Diagnostics
- Help and service
- Warranty information for your computer

© Copyright Lenovo 2009.

The following terms are trademarks of Lenovo in the United States, other countries, or both:

Lenovo ThinkVantage UltraConnect
ThinkLight TrackPoint
ThinkPad UltraBase

Windows and Windows Vista are trademarks of Microsoft Corporation in the United States, other countries, or both. Other company, product, or service names may be trademarks or service marks of others.

Printed in China

For Barcode Position Only

