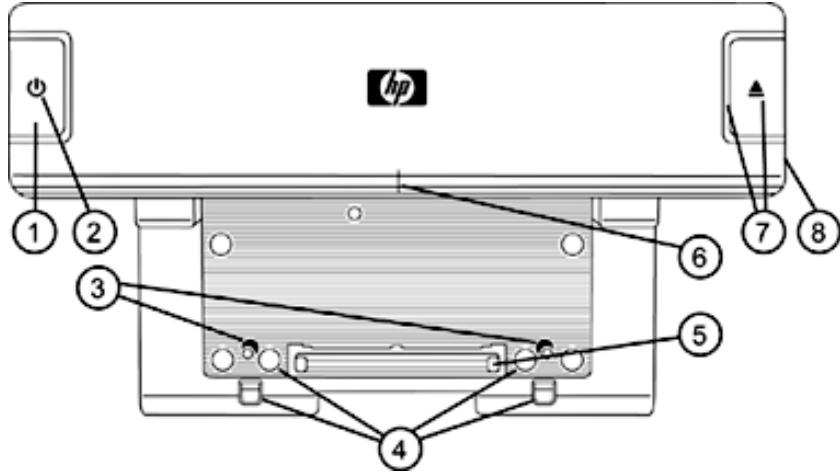


Overview

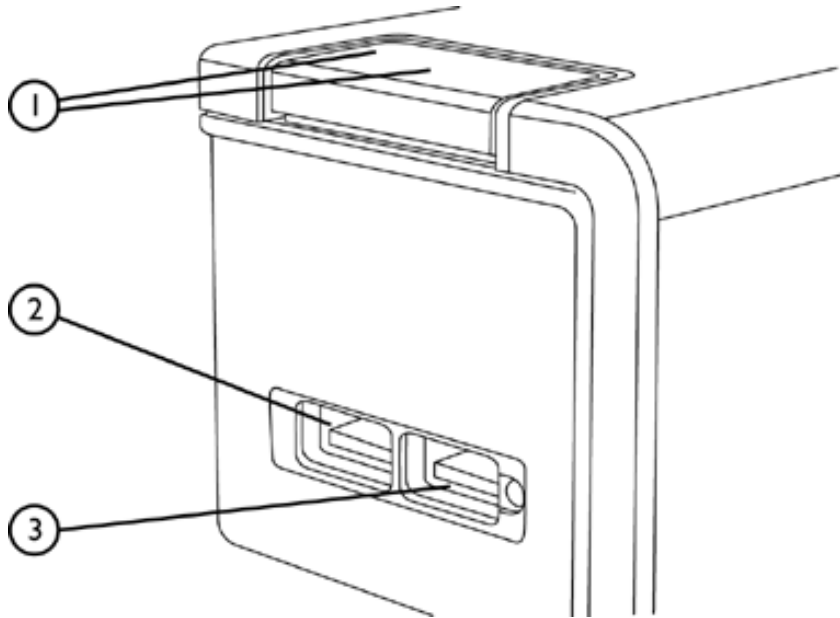
HP Docking Solutions

HP Docking Station and HP Advanced Docking Station



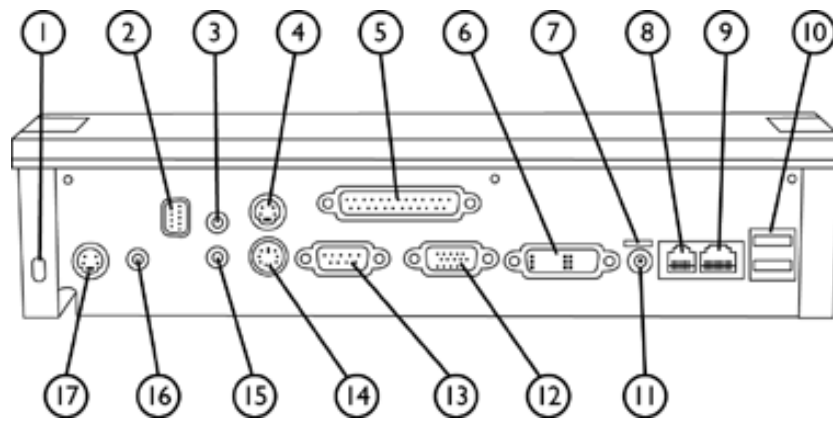
- 1. Power button
- 2. Power light
- 3. Docking posts
- 4. Notebook eject mechanisms
- 5. Docking connector
- 6. Visual alignment indicator
- 7. Notebook eject button and docking light
- 8. Integrated cable lock slot (to connect HP Kensington cable lock)

HP Docking Station Left-Side Components



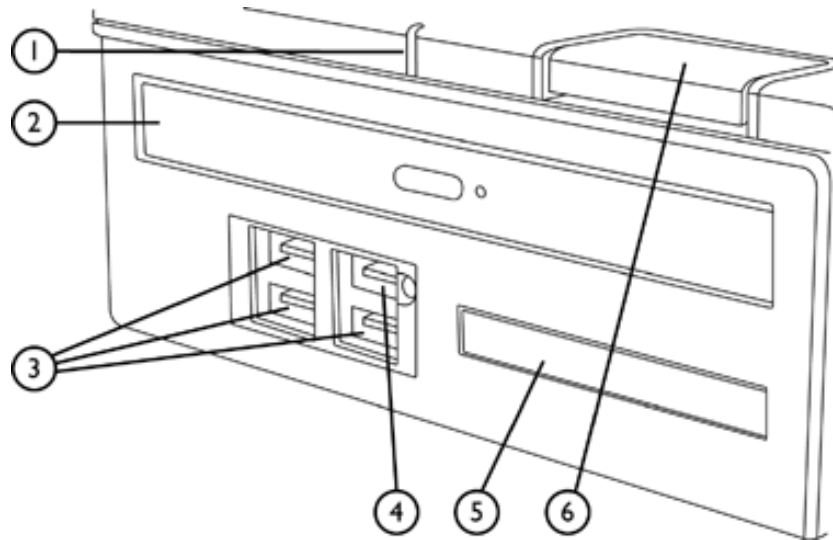
- 1. Power button and power light
- 2. USB 2.0 port
- 3. High-powered USB 2.0 port

HP Docking Station Rear Components



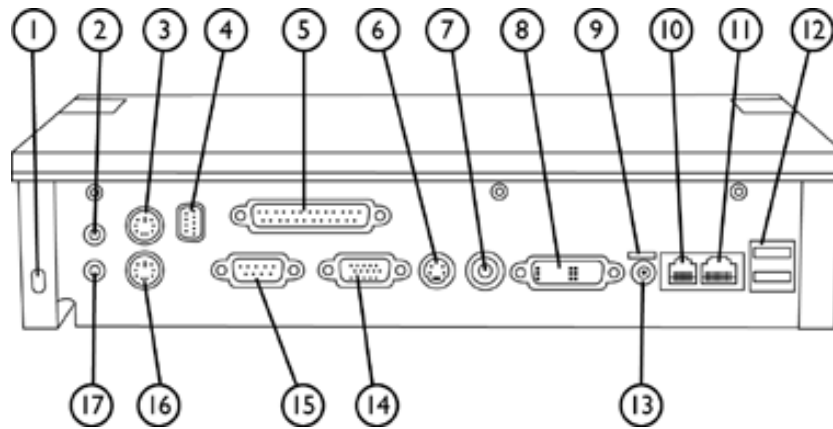
- | | |
|-----------------------------|---------------------------|
| 1. Security cable slot | 10. USB 2.0 ports (2) |
| 2. Monitor stand port | 11. Power connector |
| 3. Line out | 12. External monitor port |
| 4. Mouse Connector | 13. Serial port |
| 5. Parallel Port | 14. Keyboard connector |
| 6. Digital Video (DVI) port | 15. Line in |
| 7. Power light | 16. Composite video port |
| 8. RJ-11 (modem) jack | 17. S-Video jack |
| 9. RJ-45 (network) jack | |

HP Advanced Docking Station Left-Side Components



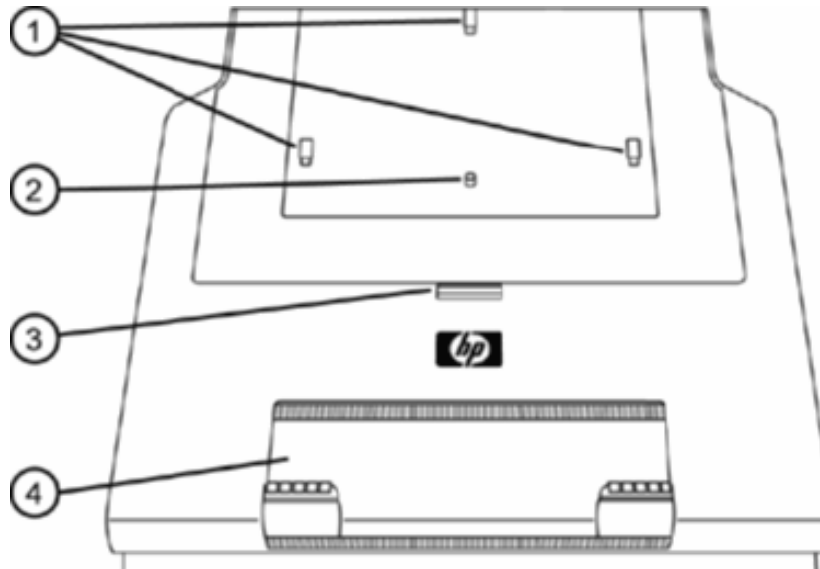
- | | |
|----------------------|---------------------------------|
| 1. MultiBay II light | 4. High-powered USB 2.0 port |
| 2. MultiBay II | 5. ExpressCard slot |
| 3. USB 2.0 ports (3) | 6. Power button and power light |

HP Advanced Docking Station Rear Components



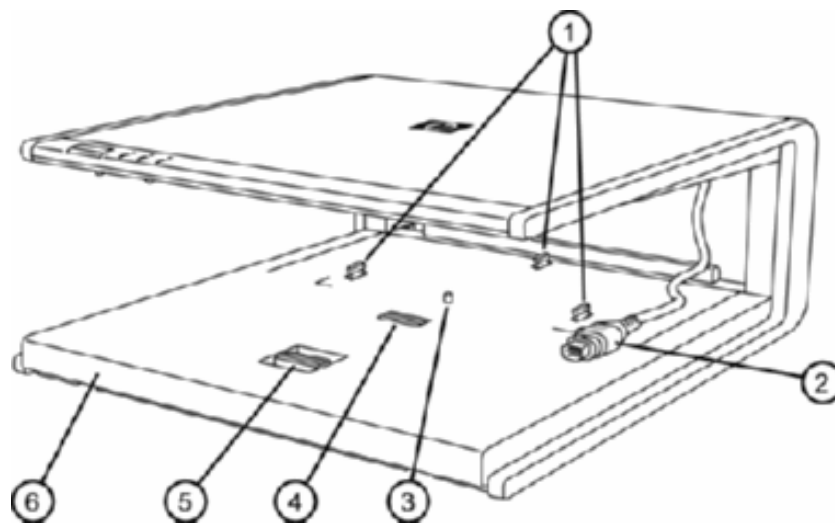
- | | |
|-----------------------------|---------------------------|
| 1. Security cable slot | 10. RJ-11 (modem) jack |
| 2. Line out | 11. RJ-45 (network) jack |
| 3. Mouse connector | 12. USB 2.0 ports (2) |
| 4. Monitor stand port | 13. Power connector |
| 5. Parallel port | 14. External monitor port |
| 6. S-Video jack | 15. Serial port |
| 7. Composite video port | 16. Keyboard connector |
| 8. Digital video (DVI) port | 17. Line in |
| 9. Power light | |

HP Adjustable Notebook Stand



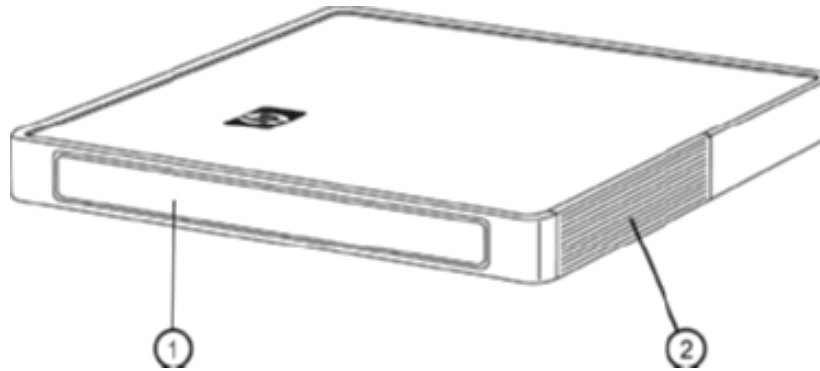
- | | |
|-------------------------|------------------|
| 1. Docking posts | 3. Eject button |
| 2. Docking release post | 4. Sliding shelf |

HP Monitor Stand



- | | |
|--------------------------|------------------------|
| 1. Docking posts | 4. Eject button |
| 2. Docking station cable | 5. Sliding tray button |
| 3. Docking release post | 6. Sliding tray |

External MultiBay II



- | | |
|--------------|------------------|
| 1. Drive Bay | 2. Pivoting Foot |
|--------------|------------------|

Models

HP Docking Station	PA286A#ABA
HP Advanced Docking Station	PA287A#ABA
HP Monitor Stand	PA507A
HP Adjustable Notebook Stand	PA508A
HP External MultiBay II	PA509A#ABA

Introduction

HP provides a set of professional-grade accessories that deliver an ideal mobile office designed to help you achieve your business goals, increase productivity and lower your costs.

HP docking solutions are comprised of a complete range of plug and play modular accessories that easily connect to your HP notebook. Create an ideal desktop environment using ergonomic docking solutions that enable a convenient one-handed docking and undocking experience. The modular design of HP docking products supports computer docking with the travel battery attached.

Enjoy return on investment from these easy-to-use, easy-to-manage desktop replacement products.

HP Docking Station

Desktop convenience with full port replication capability in a space-saving design. (AC adapter included).

Key Benefits

- Easy docking system provides port replication and cable management in one product
- Optional integrated HP/Kensington Cable Lock allows you to secure your docking station and computer with one lock

AC adapter included

HP Advanced Docking Station

Robust desktop replacement solution for your mobile office with advanced features like 6 USB ports, integrated MultiBay II and ExpressCard slot.

- Easy docking system provides port replication, cable management and an extra expansion bay - all in one product
- Optional integrated HP/Kensington Cable Lock allows you to secure your docking station, notebook and integrated MultiBay II with one lock

AC adapter included

HP Adjustable Notebook Stand

Notebook stand with one-hand adjustability eliminates the need for an external monitor

- Adaptable design lets you connect either the HP Docking Station or the HP Advanced Docking Station.
 - Unique design raises your computer screen to an adjustable comfortable eye level.
 - Simple cable management channels on the back of the stand unclutter your desktop when connecting multiple devices.
-

HP Monitor Stand

Space-saving monitor stand lets you connect to either the HP Docking Station or the HP Advanced Docking Station.

- Easily add the HP Advanced Docking Station by sliding the tray all the way out.
 - Compact design with support for up to 21 inch monitor (up to 100 lbs).
 - Convenient power button and light, AC power light, dock light and MultiBay II light (Advanced Docking Station only) on the stand replaces controls on the docking station.
 - Open-sided design allows easy access to frequently used bays, slots and ports on the docking station.
 - When used with the HP Docking Station, the sliding tray allows you to choose from four different settings to position your docking station and computer.
-

HP External MultiBay II

The HP External MultiBay II is a perfect companion for mobile users looking to expand their computer's storage capabilities.

- Convenient 9.5mm MultiBay II technology provides a compact optical and hard drive storage solution.
- Unique foot design allows you to place the MultiBay II in either a vertical or horizontal position.
- Quickly and easily add an optical drive or hard drive

AC Adapter, Regular USB cable and High-powered USB cable included

HP/Kensington Cable Lock

Helps secure your docking station, notebook and integrated MultiBay II drive when used with the HP Advanced Docking station.

- Can be used as a regular cable lock or as part of the docking station.

Standard Features

Standard Features for HP Docking Station

2 docking posts	Align and secure the computer for proper connection to the docking station
Docking connector	Connects the computer to the docking station
Vertical alignment marker	Helps you align the computer with the docking station for fast and easy docking
Power button and power light	Power indicators
Eject button and dock light	Ejects computer from docking station. Dock light is turned on when the computer is properly connected.
USB ports	4 regular USB ports
Powered USB ports	Allows you to connect to select USB devices such as the HP External MultiBay II as well as regular USB devices
Integrated cable lock slot	Supports the HP/Kensington Cable Lock, which secures the docking station and connected computer
Audio and Network connectors	Audio, Ethernet and Modem ports
Legacy connectors	Mouse, Keyboard, Serial and Parallel connectors
Other connectors	S-Video, Monitor Stand, VGA and DVI ports. AC adapter connector with light

Service and Support	One-year limited warranty. Additional support is available 24 hours a day, seven days a week by phone as well as online support forms. NOTE: Certain restrictions and exclusions apply. Consult the HP Customer Support Center for details.
----------------------------	---

Compatibility	The HP Docking Station is compatible with HP Compaq 4200, 6200 and 8200 series Notebook PCs, as well as the nc6120.
----------------------	---

Standard Features for HP Advanced Docking Station

2 docking posts	Align and secure the computer for proper connection to the docking station
Docking connector	Connects the computer to the docking station
Vertical alignment marker	Helps you align the computer with the docking station for fast and easy docking
Power button and power light	Power indicators
Eject button and dock light	Ejects computer from docking station. Dock light is turned on when the computer is properly connected.
USB ports	6 regular USB ports
Powered USB ports	Allows you to connect to select USB devices such as the HP External MultiBay II as well as regular USB devices

Integrated cable lock slot	Supports the HP/Kensington Cable Lock, which secures the docking station, connected computer and the MultiBay II
Audio and Network connectors	Audio, Ethernet and Modem ports
Legacy connectors	Mouse, Keyboard, Serial and Parallel connectors
Other connectors	S-Video, Monitor Stand, VGA and DVI ports. AC adapter connector with light, ExpressCard slot

Service and Support	One-year limited warranty. Additional support is available 24 hours a day, seven days a week by phone as well as online support forms. NOTE: Certain restrictions and exclusions apply. Consult the HP Customer Support Center for details.
----------------------------	---

Compatibility	The HP Advanced Docking Station is compatible with HP Compaq 4200, 6200 and 8200 series Notebook PCs, as well as the nc6120.
----------------------	--

Standard Features for HP Adjustable Notebook Stand

Docking posts	Align and secure the docking station to the stand
Docking release posts	Helps secure a connected docking station
Release button	Releases the docking station from the stand
Sliding shelf	Allows you to adjust for different-sized computers
Cable management channels	Allows you to organize and hide accessory cables in a central location helping to reduce clutter when connecting multiple devices
Adjustment handles	Allows you to adjust the angle of the stand to make the workstation comfortable for you
Security cable slot	Secures the stand to a stationary object when you attach a security cable lock

Service and Support	One-year limited warranty. Additional support is available 24 hours a day, seven days a week by phone as well as online support forms. NOTE: Certain restrictions and exclusions apply. Consult the HP Customer Support Center for details.
----------------------------	---

Compatibility	The HP Adjustable Notebook Stand is compatible with HP Compaq 4200, 6200 and 8200 series Notebook PCs, as well as the nc6120.
----------------------	---

Standard Features for HP Monitor Stand

Power button	Turns on power to the system. The light is turned on when the docked computer is turned on.
AC power light	Lights up when the docking station is connected to the AC power
Dock light	Lights up when the computer is successfully docked to the docking station
MultiBay II activity light	Indicates MultiBay II drive activity (Advanced Docking Station only)
Docking posts	Aligns and secures docking station to the stand
Docking release post	Helps secure a connected docking station
Alignment marks	Helps you correctly align the docking station when connecting it to the stand
Release button	Releases the docking station from the stand
Tray slide button	Allows you to adjust the position of the docking station and computer
Docking station cable	Connects the docking station to allow you to use the monitor stand power button and activity light

Service and Support	One-year limited warranty. Additional support is available 24 hours a day, seven days a week by phone as well as online support forms. NOTE: Certain restrictions and exclusions apply. Consult the HP Customer Support Center for details.
----------------------------	---

Compatibility The HP Monitor Stand is compatible with HP Compaq 4200, 6200 and 8200 series Notebook PCs, as well as the nc6120.

Standard Features for HP External MultiBay II

Drive Bay Accepts 9.5-mm optical drives and hard drives (does not support diskette drive or battery)
Pivoting foot Allows the MultiBay II to stand vertically
Eject mechanism Ejects the drive
Security cable slot Secures the MultiBay II to a stationary object when you attach a security cable lock
Mini-USB port Connects the MultiBay II to the computer or docking station using a standard or powered mini-USB cable
Power connector Connects the AC Adapter

Service and Support One-year limited warranty. Additional support is available 24 hours a day, seven days a week by phone as well as online support forms.
NOTE: Certain restrictions and exclusions apply. Consult the [HP Customer Support Center](#) for details.

Compatibility The HP External MultiBay II is compatible with HP Compaq 4000, 4200, 5000, 6100, 6200, 7000, 8000 and 8200 series Notebook PCs and 1000 series Tablet PCs via a regular USB cable and AC adapter (powered USB not supported).

Technical Specifications

Dimensions (H x W x D)	HP Docking Station	11.02 x 2.4 x 6.02 in (28.0 x 6.1 cm x 15.3 cm)	
	HP Advanced Docking Station	11.02 x 2.4 x 9.56 in (28.0 x 6.1 cm x 24.3 cm)	
	HP Monitor Stand	5.5 x 13.8 x 14.8 in (14.0 x 35.0 x 37.6 cm)	
	HP Adjustable Notebook Stand	4.3 min - 11 max x 13.15 x 13.0 in (10.9 min - 27.9 max x 33.4 x 33 cm)	
	HP External MultiBay II	6.77 x 6.46 x 0.71 in (17.2 x 16.4 cm x 1.8 cm)	
	Weight	HP Docking Station	2.24 lbs (1.02 kg)
HP Advanced Docking Station		3.93 lbs (1.78 kg)	
HP Monitor Stand		8.6 lbs (3.90 kg)	
HP Adjustable Notebook Stand		8.0 lbs (3.63 kg)	
HP External MultiBay II		1.3 lbs (515 g)	
Power Supply (input)		HP Docking Station	Rated Voltage
	Rated Current		2.5A rms
	Line Frequency		50 - 60 Hz
	HP Advanced Docking Station	Rated Voltage	100 to 240 V
		Rated Current	2.5A rms
		Line Frequency	50 - 60 Hz
	HP Monitor Stand	N/A	

	HP Adjustable Notebook Stand	N/A	
Temperature	HP External MultiBay II	Rated Voltage	100 to 240 V
		Rated Current	0.6A rms
		Line Frequency	50 - 60 Hz
	HP Docking Station	Operating	50° to 95° F (10° to 35° C)
		Non-operating	14° to 140° F (-10° to 60° C)
	HP Advanced Docking Station	Operating	50° to 95° F (10° to 35° C)
Non-operating		14° to 140° F (-10° to 60° C)	
	HP Monitor Stand	Non-operating	14° to 140° F (-10° to 60° C)
	HP Adjustable Notebook Stand	Non-operating	14° to 140° F (-10° to 60° C)
Relative Humidity	HP External MultiBay II	Operating	50° to 95° F (10° to 35° C)
		Non-operating	14° to 140° F (-10° to 60° C)
	HP Docking Station	Operating/Non-condensing	10% to 90% relative humidity
		Non-operating	5% to 90% relative humidity, 101.6° F (38.7° C) maximum wet bulb temperature
	HP Advanced Docking Station	Operating/Non-condensing	10% to 90% relative humidity
		Non-operating	5% to 90% relative humidity, 101.6° F (38.7° C) maximum wet bulb temperature
	HP Monitor Stand	N/A	
	HP Adjustable Notebook Stand	N/A	
Maximum Altitude	HP External MultiBay II	Operating/Non-condensing	10% to 90% relative humidity
	HP Docking Station	Operating	0 to 10,000 ft (0 to 3,048 m)
		Non-operating	0 to 30,000 ft (0 to 9,144 m)
	HP Advanced Docking Station	Operating	0 to 10,000 ft (0 to 3,048 m)
		Non-operating	0 to 30,000 ft (0 to 9,144 m)
	HP Monitor Stand	N/A	
	HP Adjustable Notebook Stand	N/A	
Shock	HP External MultiBay II	Operating	0 to 10,000 ft (0 to 3,048 m)
		Non-operating	0 to 30,000 ft (0 to 9,144 m)
	HP Docking Station	Operating	10 G, 11 ms, half-sine
		Non-operating	60 G, 11 ms, half-sine
	HP Advanced Docking Station	Operating	10 G, 11 ms, half-sine
		Non-operating	60 G, 11 ms, half-sine
	HP Monitor Stand	N/A	
	HP Adjustable Notebook Stand	N/A	
Vibration	HP External MultiBay II	Operating	10 G, 11 ms, half-sine
		Non-operating	60 G, 11 ms, half-sine
	HP Docking Station	Operating	0.5 G zero-to-peak, 10 to 500 Hz, 0.25 oct/min sweep rate

		Non-operating	1 G, zero-to-peak, 10 to 500 Hz, 0.5 oct/min sweep rate
	HP Advanced Docking Station	Operating	0.5 G zero-to-peak, 10 to 500 Hz, 0.25 oct/min sweep rate
		Non-operating	1 G, zero-to-peak, 10 to 500 Hz, 0.5 oct/min sweep rate
	HP Monitor Stand	N/A	
	HP Adjustable Notebook Stand	N/A	
	HP External MultiBay II	Operating	0.5 G zero-to-peak, 10 to 500 Hz, 0.25 oct/min sweep rate
		Non-operating	1 G, zero-to-peak, 10 to 500 Hz, 0.5 oct/min sweep rate
Option Kit Contents	HP Docking Station	HP Docking Station, AC power adapter, documentation	
	HP Advanced Docking Station	HP Advanced Docking Station, AC power adapter documentation	
	HP Monitor Stand	HP Monitor Stand, documentation	
	HP Adjustable Notebook Stand	HP Adjustable Notebook Stand, documentation	
	HP External MultiBay II	HP External MultiBay II, Powered USB cable, documentation, Regular USB cable, AC power adapter	

Related Options

HP Secondary Travel Battery	PB993A
DVD-ROM MultiBay II Drive	PA849A
DVD-ROM/CD-RW Combo MultiBay II Drive	PA850A
DVD/R/RW Dual Format MultiBay II Drive	PA851A
80 GB MultiBay II Hard Drive	PH357A
HP/Kensington Cable Lock	PC766A