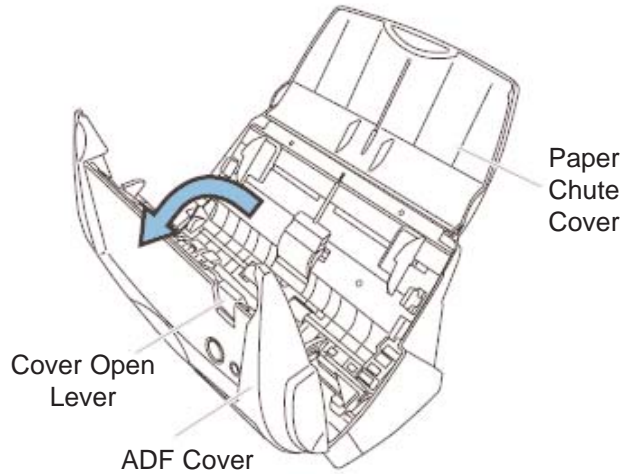


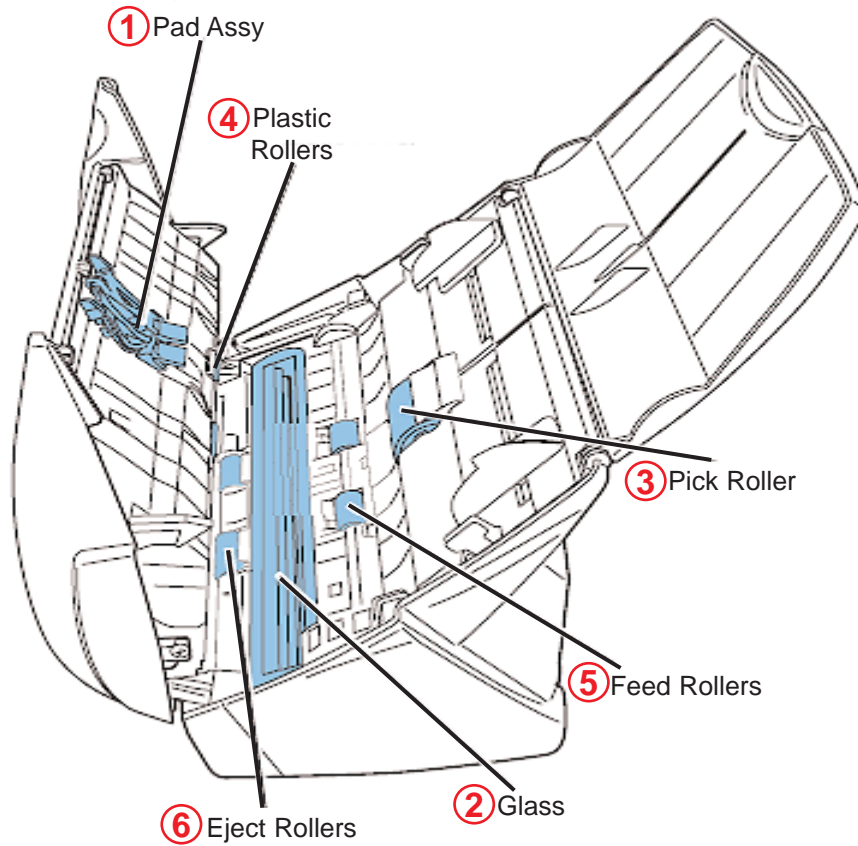
**BEFORE CLEANING**

Open the ADF while pulling the cover open lever



It is recommended that these items be cleaned **EVERY 1,000 SCANS**

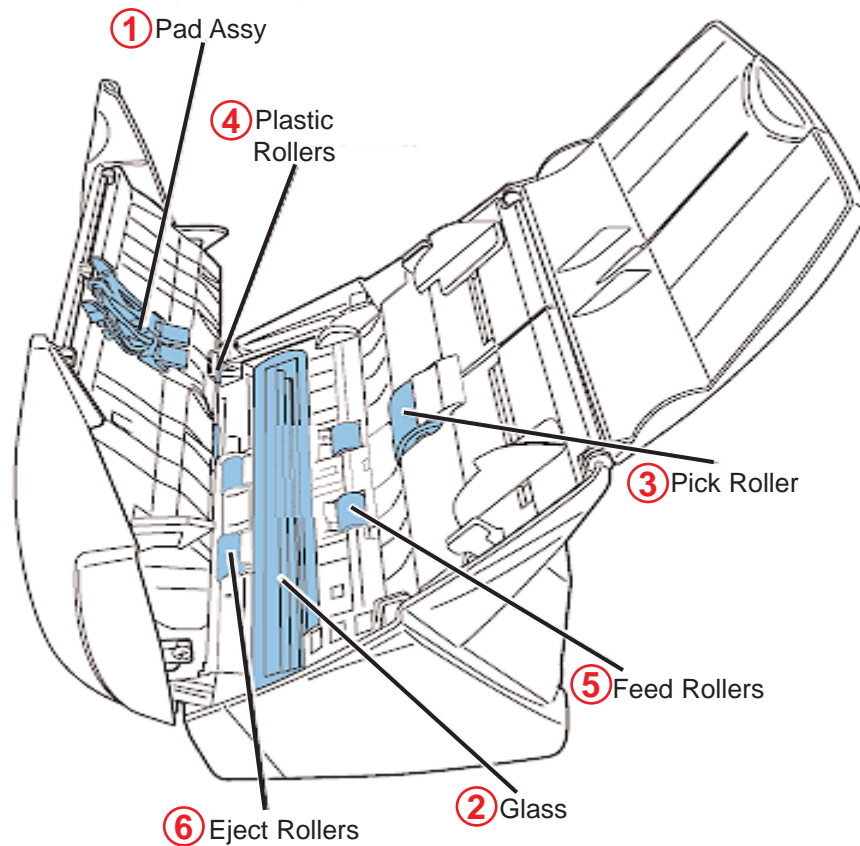
Parts	Part Number
<b>Consumables</b>	
Pad	PA03360-0002
Pick Roller	PA03360-0001
<b>Cleaning Kit</b>	SC-CLE-KIT1



**Turn the Scanner OFF while cleaning the following locations**

**Using cleaning paper moistened with F1 Cleaner**

- ① Pad Assy**  
Wipe downwards. When cleaning take care to prevent the cloth from catching on the metal parts.
- ② ADF Glass Surfaces x 2**  
Located on the ADF cover and opposite side. Clean lightly.
- ③ Pick Roller**  
Clean lightly taking care not to scratch the surface.
- ④ Plastic Rollers x 4**

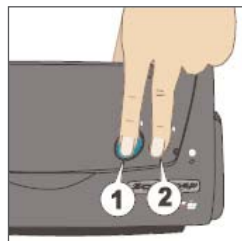


Turn the Scanner **ON** while cleaning the following locations

Using cleaning paper moistened with F1 Cleaner

To rotate the Feed and Eject Rollers, press the POWER button while holding down the SCAN button.

As a guideline, six presses of the POWER button make the rollers rotate one full turn.



While holding down the SCAN button ①

Press the POWER button ②

Rollers will rotate

**⑤ Feed Rollers x 2**

Clean lightly taking care not to roughen the surface.

**⑥ Eject Rollers x 2**

Clean lightly taking care not to roughen the surface.

For further information please refer to the  
**ScanSnap S500 Image Scanner Operators Guide**  
 which can be found on our Website:  
[www.fel.fujitsu.com/scanner](http://www.fel.fujitsu.com/scanner)